

TrilliumSeries™

Adiabatic Products

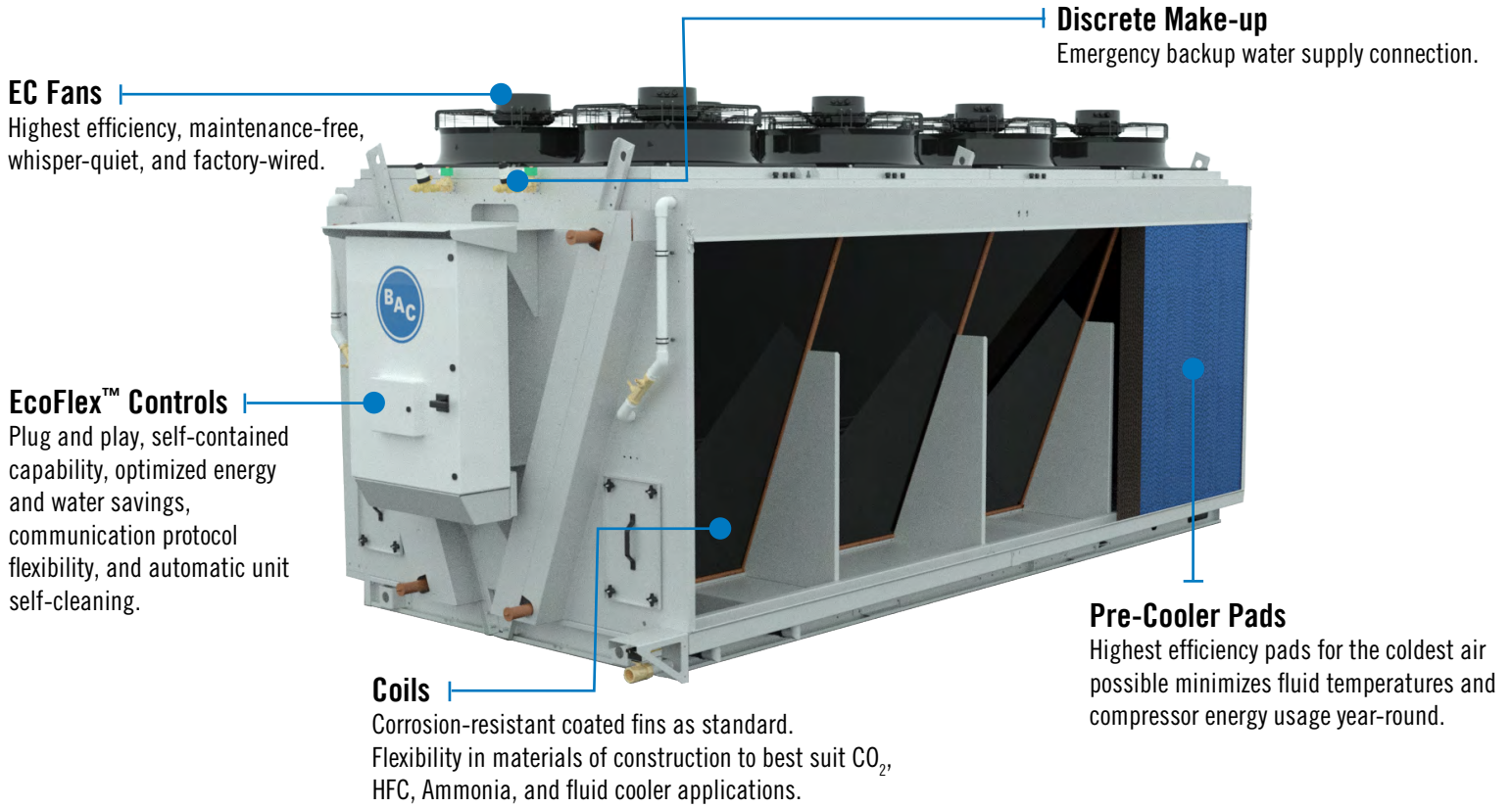
Combining the best of wet and dry cooling, TrilliumSeries™ Adiabatic Products optimize energy and water savings for commercial and industrial refrigeration applications.

 **LOWEST WATER USE**

 **LOWEST SYSTEM ENERGY**

 **EASIEST MAINTENANCE**

 **LOWEST SYSTEM CHARGE**



Over 10 years of proven performance with thousands of installations worldwide.

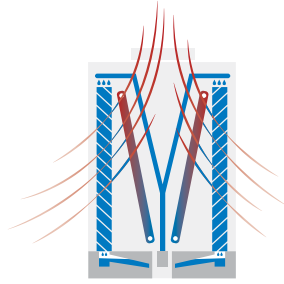
CO₂, Ammonia, and Fluid Cooler Models Now Available

TrilliumSeries™ Adiabatic Products

MODES OF OPERATION



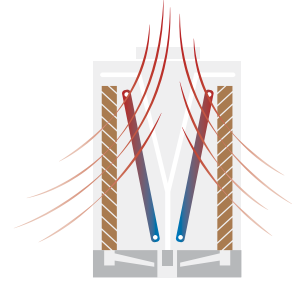
WARM AMBIENT TEMPERATURE



PRE-COOLER MODE

When the unit is in Pre-Cooler mode, water is evenly distributed over the highly-efficient Pre-Cooler Pads. The air is cooled to 1-3°F above the wet-bulb temperature. Such substantial depression of the air temperature results in a significant increase in dry cooling capacity and energy efficiency.

COOL AMBIENT TEMPERATURE



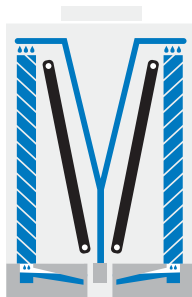
DRY MODE

When the ambient air is below the custom setpoint based on location, the unit is automatically drained and runs in dry mode to optimize water savings. No winterization needed.

AUTOMATICALLY MINIMIZE MAINTENANCE WITH TRILLIUMSERIES™ ADIABATIC PRODUCTS

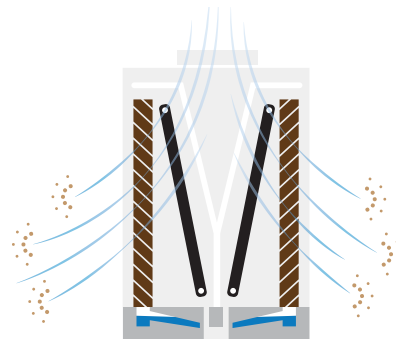
CLEANSING CYCLES

Periodic cleansing cycles during wet mode prevents scaling and maintains water quality.



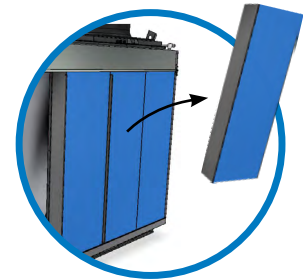
SELF-CLEAN PROTOCOLS

In addition to the cleansing cycles, fans run in reverse once daily to prevent clogging and maintain performance.



UNIQUE, EASY-TO-REMOVE COATED PADS

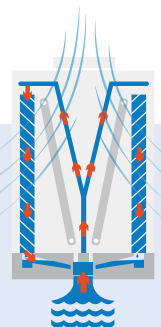
UV & algae resistant pads, thickest in the industry, provide unrivaled system efficiency. Toolless and no-struggle frame enables easy removal for coil inspections.



EXCLUSIVE FEATURE

Cleansing Circulation: Water enters the unit and remains in circulation until it is drained and replaced every two hours, not remaining still. The TrilliumSeries™ is developed to achieve maximum adiabatic cooling while reducing the potential for uncontrolled bacterial growth.*

*TrilliumSeries™ Adiabatic Products are not subject to NY State Subpart 4-1 Regulations.

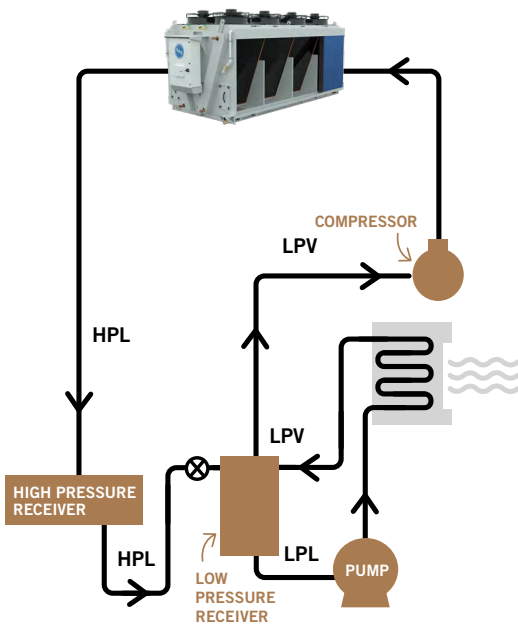


TrilliumSeries™ Adiabatic Products

THE BEST CHOICE

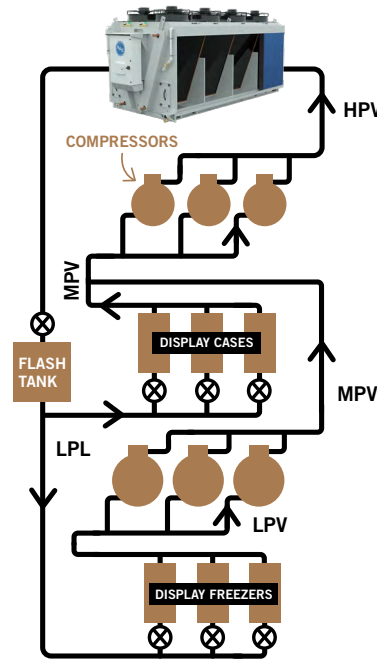
AMMONIA

Save up to 90% of water and reduce charge when compared to traditional evaporative products.



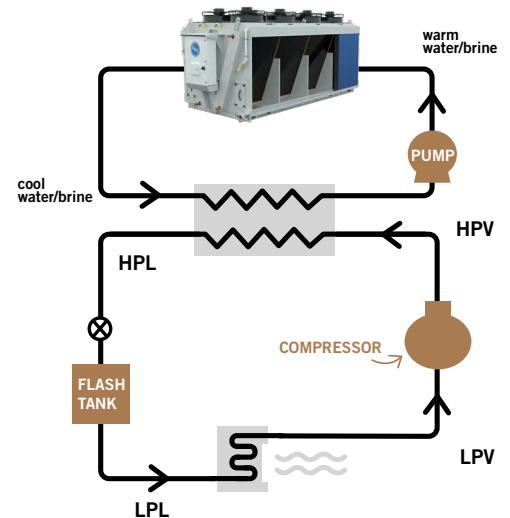
HFC/CO₂

Save up to 44% energy compared to air cooled products. For CO₂ systems, stay subcritical in most climates.



NEW! FLUID COOLER

Reduce charge and footprint when compared to typical condenser system design. Supports use of hydrocarbon applications.



MAXIMIZE ENERGY SAVINGS FOR COMMERCIAL REFRIGERATION APPLICATIONS

TrilliumSeries™ Adiabatic Products are always the best heat rejection solutions compared to traditional air-cooled condensers. They automatically optimize water and energy savings while delivering the lowest total cost of ownership with easy maintenance.

MAXIMIZE WATER SAVINGS FOR INDUSTRIAL REFRIGERATION APPLICATIONS

Evaporative condensers are the industry standard energy-efficient option for your refrigeration system. For those looking to maximize water savings while still saving energy, TrilliumSeries™ Adiabatic Products are the solution for you.

REDUCE SYSTEM CHARGE WITH FLUID COOLER MODELS

All TrilliumSeries™ models allow you to reduce system refrigerant charge vs. traditional air-cooled equipment. To further reduce system refrigerant charge, a TrilliumSeries™ Fluid Cooler can be combined with a fluid loop to reject heat, while still taking advantage of the TrilliumSeries™ benefits including water and energy savings, low condensing temperatures, and easy maintenance.

THE BAC DIFFERENCE



BEST-IN-CLASS SUPPORT



CUSTOMIZED SELECTION



ON-SITE STARTUP

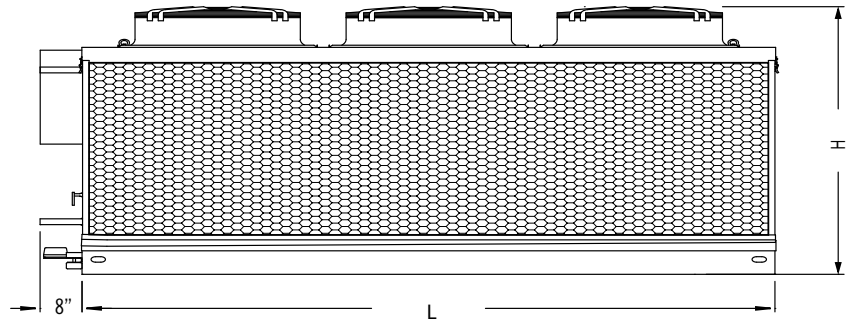
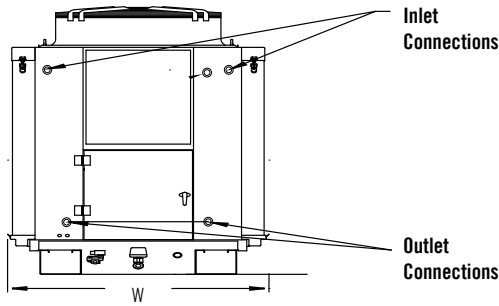


WARRANTY

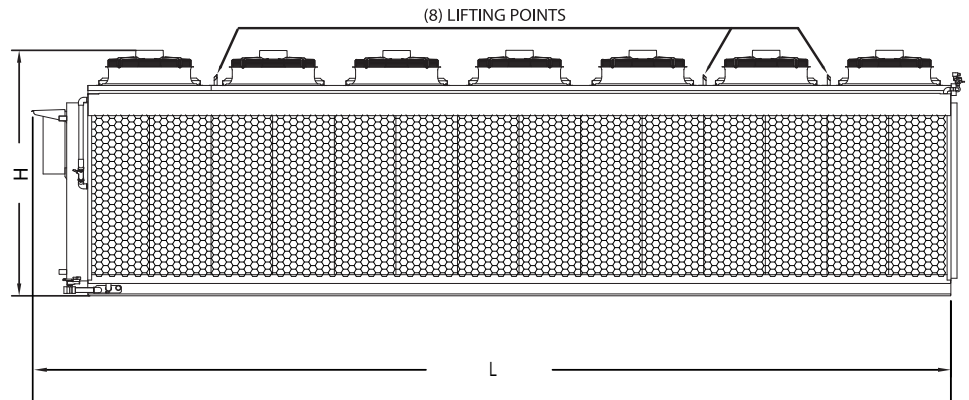
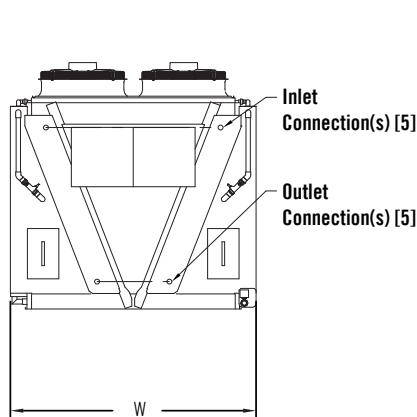


TrilliumSeries™ Adiabatic Products

ENGINEERING DATA



Model	Fan Qty	Tons ⁽¹⁾	Motor HP ⁽²⁾	Unit Length (L)	Unit Width (W)	Unit Height (H)	Operating Weight (lbs) ⁽⁴⁾
TSDC-xxx-3	1	15-27	3.0	5'-3"	4'-2"-5'7"	7'-0"	1,500-1,990
TSDC-xxx-6.2	2	26-45	6.2	7'-11"	4'-2"-5'7"	7'-0"	2,000-2,690
TSDC-xxx-9.6	3	37-65	9.6	11'-1"	4'-2"-5'7"	7'-0"	2,600-3,500
TSDC-xxx-12.4	4	51-90	12.4	15'-7"	4'-2"-5'7"	7'-1/2"	3,570-4,560



Model	Fan Qty	Tons ⁽¹⁾	Motor HP ⁽²⁾	Unit Length (L)	Unit Width (W)	Unit Height (H)	Operating Weight (lbs) ⁽⁴⁾
TSDX2-xxx-12.4	4	54-108	12.4	10'-12"	7'-10"	8'-2"	4,430 - 4,980
TSDX2-XXX-18.6	6	82-164	18.6	14'-11"	7'-10"	8'-2"	6,085 - 6,810
TSDX2-XXX-24.8	8	107-214	24.8	18'-10"	7'-10"	8'-2"	7,715 - 9,085
TSDX2-xxx-31.0	10	134-268	31.0	22'-10"	7'-10"	8'-2"	9,130 - 10,670
TSDX2-xxx-37.2	12	160-320	37.2	26'-9"	7'-10"	8'-2"	11,000 - 13,185
TSDX2-xxx-43.4	14	188-376	43.4	30'-8"	7'-10"	8'-2"	12,460 - 14,880

NOTES:



1. Ton range covers NH₃, HFC, CO₂, and H₂O at a variety of conditions. For specific selections, please contact your local BAC Representative.
2. TSDC2 and TSDF2 models have two (2) 0.33 HP pumps.
3. The water make-up connection is 3/4", drain connection is 1 1/4" or 1 1/2", and overflow connection is 1 1/2".
4. Operating weights are estimated and will vary depending on coil and fluid selected.
5. TSDF2 models have 1 or 2 sets of inlets/outlets depending on the selection.

Do not use for construction. Refer to factory certified dimensions. This catalog includes data current at the time of publication, which should be reconfirmed at the time of purchase. Up-to-date engineering data, free product selection software, and more can be found at www.BaltimoreAircoil.com.