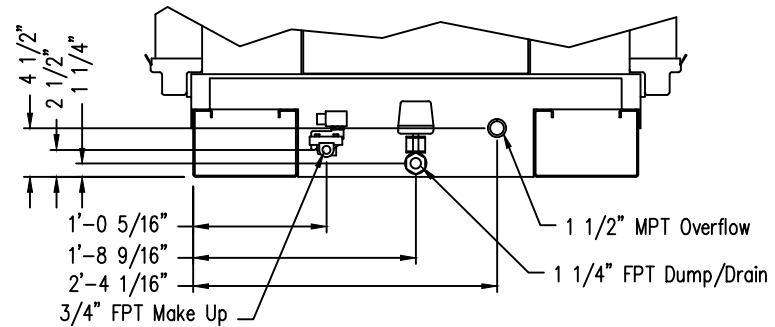
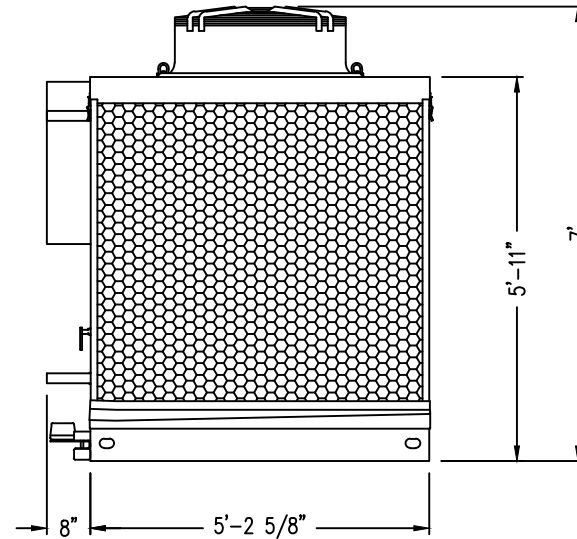
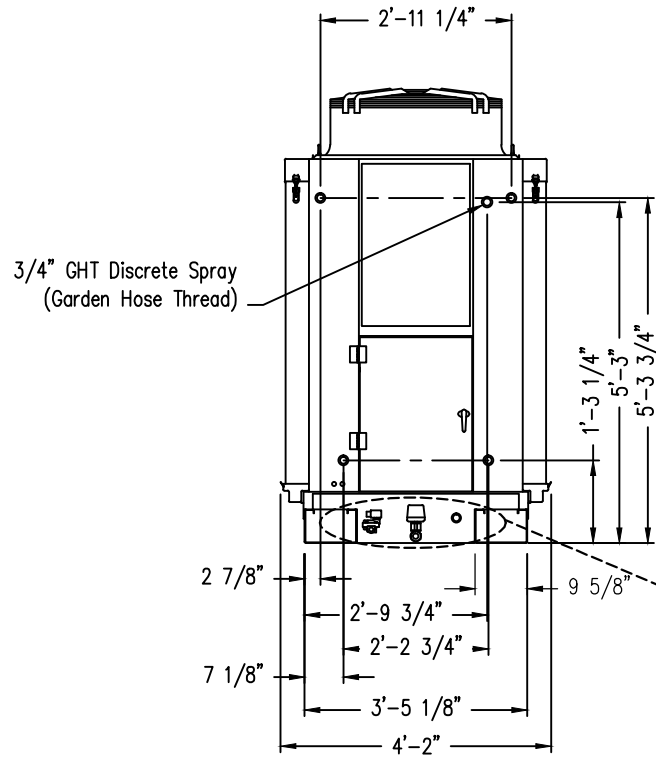
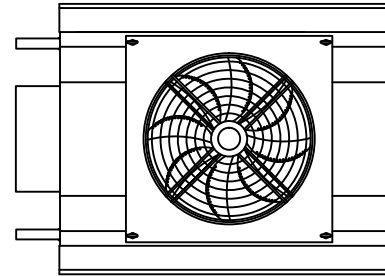


Notes



Model Number	Shipping/Rigging Weight	Operating Weight
TSDC-033-3	1273	1440

ORDER NO: **Job Number**

DATE:



**BALTIMORE
AIRCOIL COMPANY**

**TrilliumSeries™ Condensor
Single Fan Unit Print**

DRAWING NUMBER:

Job Number