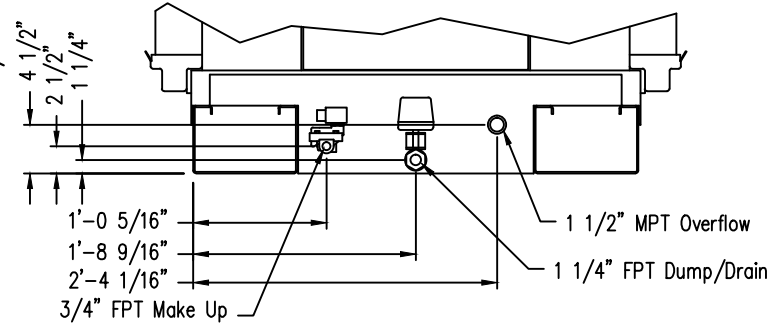
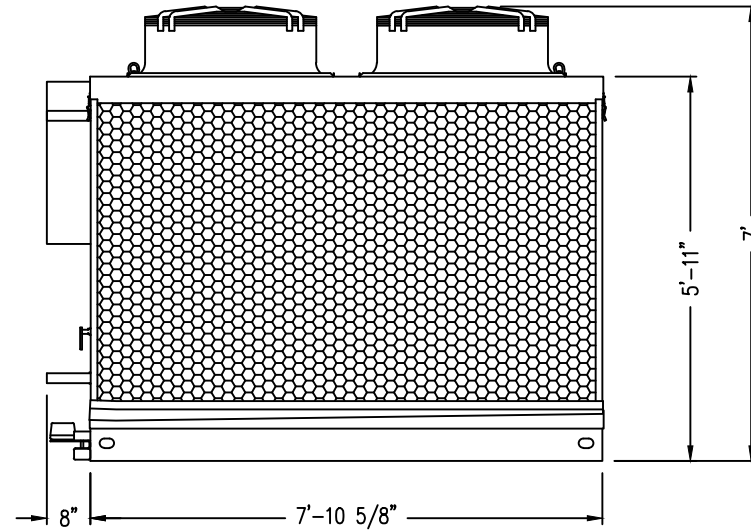
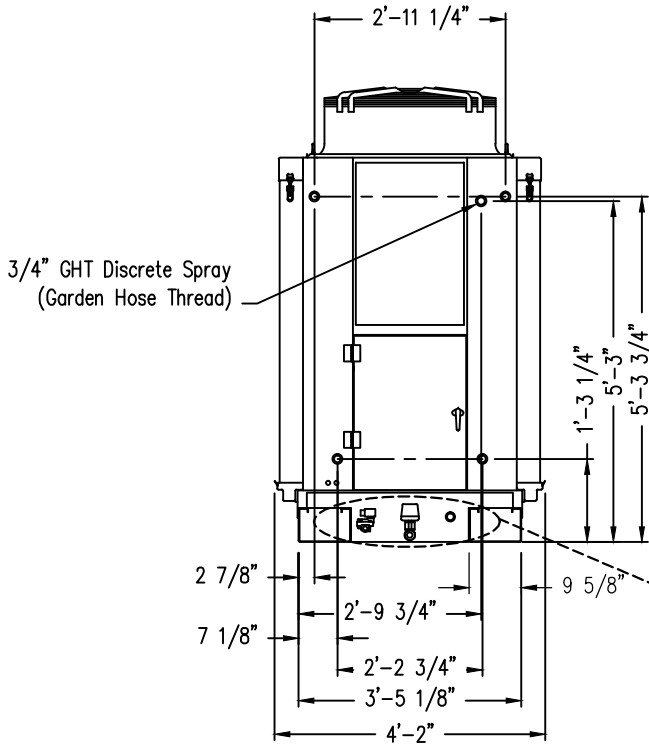
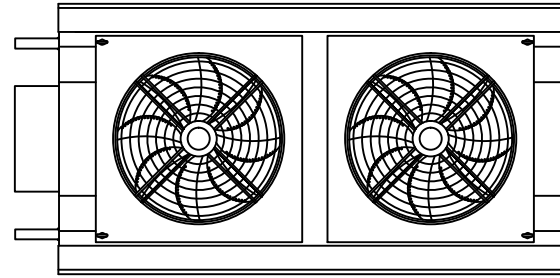


Notes



Model Number	Shipping/Rigging Weight	Operating Weight
TSDC-058-6.2	1736	1935

ORDER NO: **Job Number**

DATE:



**BALTIMORE
AIRCOIL COMPANY**

**TrilliumSeries™ Condenser
Two Fan Unit Print**

DRAWING NUMBER:

Job Number