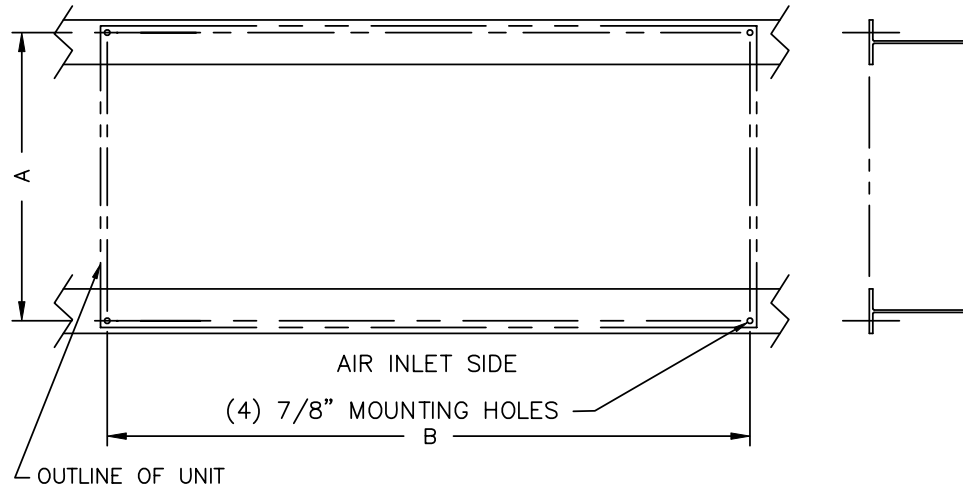


2000© Baltimore Aircoil Company. All Rights Reserved.



MODEL NO.	DIMENSION		* (SEE NOTE 3)
	A	B	
VF1-009-12 VF1-009-22 VF1-009-32 VF1-009-42	45 3/8"	29 1/2"	3/32"
VF1-018-02 VF1-018-12 VF1-018-22 VF1-018-32 VF1-018-42	45 3/8"	65 1/2"	3/16"
VF1-027-21 VF1-027-22 VF1-027-31 VF1-027-32 VF1-027-41 VF1-027-42	45 3/8"	101 1/4"	5/16"
VF1-036-21 VF1-036-22 VF1-036-31 VF1-036-32 VF1-036-41 VF1-036-42 VF1-036-51	45 3/8"	137 1/2"	3/8"
VF1-048-21 VF1-048-22 VF1-048-31 VF1-048-32 VF1-048-41 VF1-048-42	54 1/4"	137 1/2"	3/8"

NOTES:

1. THE RECOMMENDED SUPPORT ARRANGEMENT FOR VF1 UNITS CONSISTS OF TWO PARALLEL I-BEAMS EXTENDING THE FULL LENGTH OF THE UNIT. SUPPORTS AND ANCHOR BOLTS ARE TO BE DESIGNED AND FURNISHED BY OTHERS.
2. ALL SUPPORTING BEAMS ARE TO BE FLUSH AND LEVEL AT TOP AND MUST BE ORIENTED RELATIVE TO GAGE LINE AS SHOWN.
3. RECOMMENDED DESIGN LOADS FOR EACH BEAM SHOULD BE 70% OF THE TOTAL UNIT OPERATING WEIGHT APPLIED AS A UNIFORM LOAD TO EACH BEAM. BEAMS SHOULD BE DESIGNED IN ACCORDANCE WITH STANDARD STRUCTURAL PRACTICE. THE MAXIMUM ALLOWABLE DEFLECTION OF BEAMS UNDER THE UNIT SHALL BE * (REFER TO CHART) OF AN INCH.
4. ALL MOUNTING HOLES ARE 7/8" DIAMETER. AT THE LOCATIONS SHOWN.
5. IF VIBRATION ISOLATORS ARE USED, A RAIL OR CHANNEL MUST BE PROVIDED BETWEEN THE UNIT AND THE ISOLATORS TO PROVIDE CONTINUOUS UNIT SUPPORT. ADDITIONALLY THE SUPPORT BEAMS MUST BE DESIGNED TO ACCOMMODATE THE OVERALL LENGTH AND MOUNTING HOLE LOCATION OF THE ISOLATORS WHICH MAY DIFFER FROM THOSE OF THE UNIT. REFER TO VIBRATION ISOLATOR DRAWINGS FOR THESE DATA.

B.A.C.
ORDER NO:

DATE:



BALTIMORE AIRCOIL
COMPANY

SUGGESTED STEEL SUPPORT
FOR VF1 UNITS

DRAWING NUMBER:
BAC-15839A

-