



PARTS MAP

Model: _____

Serial Number: _____

Notes:

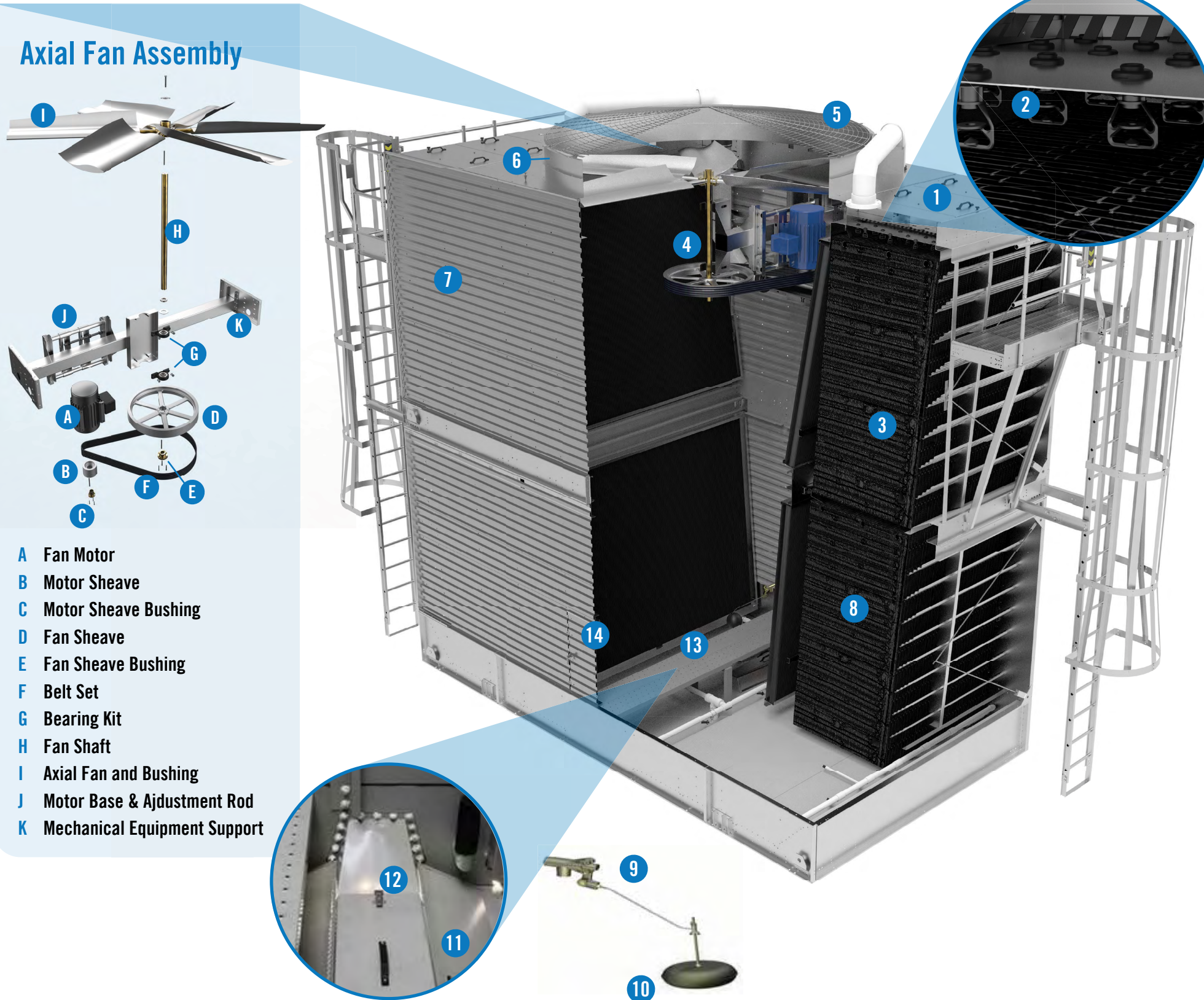
Upper Casing Section

- 1 Hot Water Basin
- 2 XF Spray Nozzles
- 3 BACross III® Upper Fill with Integral Drift Eliminators
- 4 Axial Fan Assembly (see detailed view)
- 5 Fan Guard Assembly
- 6 Fan Cylinder
- 7 FRP Casing Panels

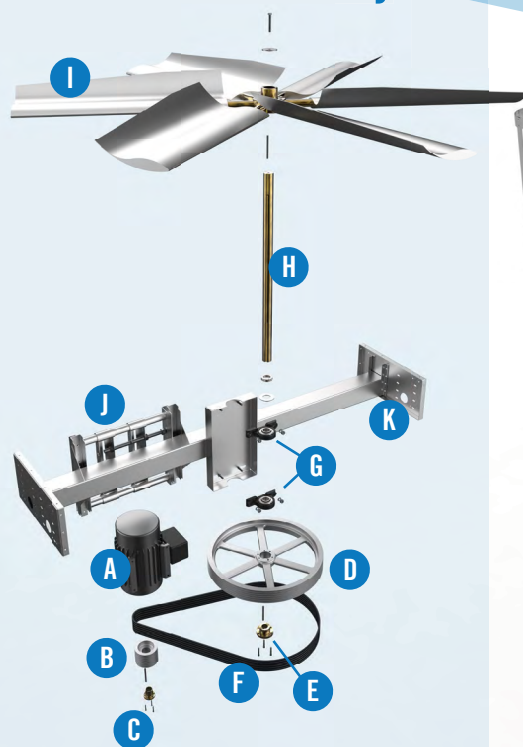
Lower Pan Section

- 8 BACross III® Lower Fill with Integral Drift Eliminators
- 9 Make-up Valve Assembly
- 10 Float Ball
- 11 Pan Strainer
- 12 Pan Strainer Hood
- 13 Internal Walkway
- 14 Access Door

Series 3000 Cooling Tower



Axial Fan Assembly



- A Fan Motor
- B Motor Sheave
- C Motor Sheave Bushing
- D Fan Sheave
- E Fan Sheave Bushing
- F Belt Set
- G Bearing Kit
- H Fan Shaft
- I Axial Fan and Bushing
- J Motor Base & Adjustment Rod
- K Mechanical Equipment Support

Reduce Downtime
 Spare Parts List (page 2)

Recommended Spare Parts

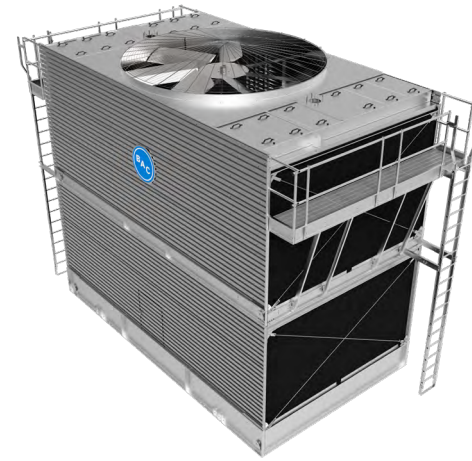
BAC Factory Authorized Parts are manufactured to meet rigorous specifications and are guaranteed to fit your unit and perform as original equipment.

BAC Factory Authorized Parts can be ordered through your local BAC Representative. Most BAC Representatives maintain a local inventory of commonly used parts. For a free unit inspection and a specific parts list for your serial number, contact your local BAC Representative today.

Even with BAC's fast delivery capability, it is still recommended that certain essential and emergency repair part be maintained in your inventory to minimize any potential downtime.



Find my BAC Rep to order parts, get maintenance tips, and get a free unit inspection: www.baltimoreaircoil.com/RepFinder



Series 3000

Cooling Tower

Belt Drive Configuration

Basic Recommended Spare Parts

- Basin Heater & LWCO** (if equipped)
- Bearings**
- Bearing Greaser Refill** (if equipped)
- Belts**
- Basin Heater & LWCO** (if equipped)
- Float Valve Kit & Float Ball**
- Solenoid Valve** (if unit is equipped with EWLC option)
- Spray Nozzles**
- Suction Strainer**
- Inlet Strainer** (if equipped)

Parts to Consider for Critical Applications

- Prop Fans with Bushings**
- Fan Shaft**
- Sheave and Bushings**
- Fan Motor**



Scan to locate your local BAC Representative



PARTS MAP

Model: _____

Serial Number: _____

Notes:

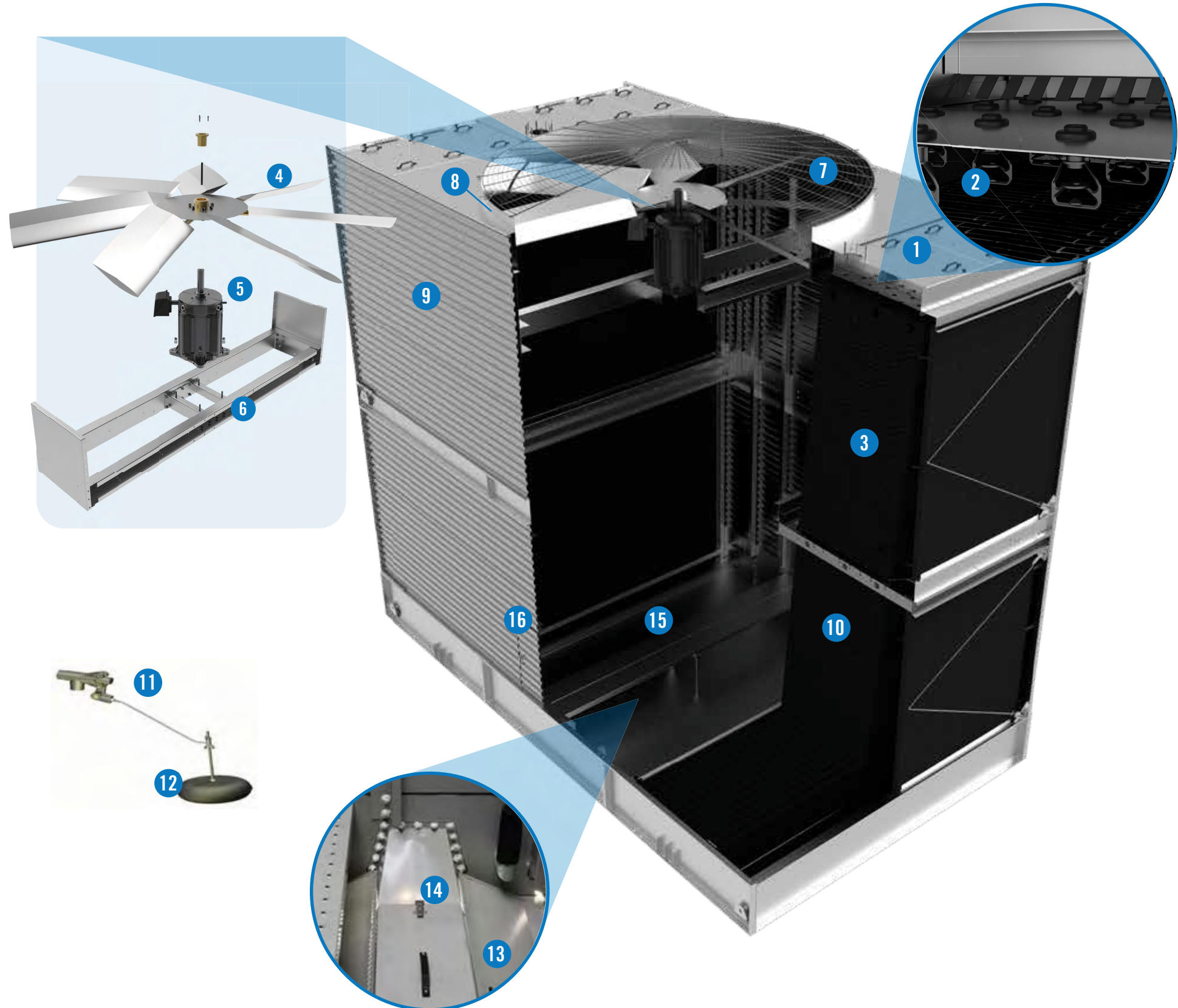
Upper Casing Section

- 1 Hot Water Basin
- 2 XF Spray Nozzles
- 3 BACross III® Upper Fill with Integral Drift Eliminators
- 4 Axial Fan and Bushing Assembly
- 5 ENDURADRIVE™ PM Motor
- 6 ENDURADRIVE™ ME Support
- 7 Fan Guard Assembly
- 8 Fan Cylinder
- 9 FRP Casing Panels

Lower Pan Section

- 10 BACross III® Lower Fill with Integral Drift Eliminators
- 11 Make-up Valve Assembly
- 12 Float Ball
- 13 Pan Strainer
- 14 Pan Strainer Hood
- 15 Internal Walkway
- 16 Access Door

Series 3000 Cooling Tower



Reduce Downtime
Spare Parts List (page 2)

Recommended Spare Parts

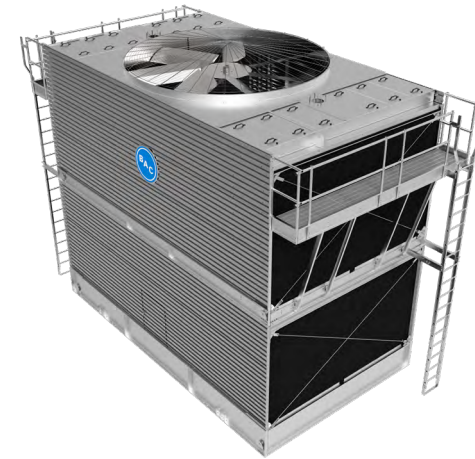
BAC Factory Authorized Parts are manufactured to meet rigorous specifications and are guaranteed to fit your unit and perform as original equipment.

BAC Factory Authorized Parts can be ordered through your local BAC Representative. Most BAC Representatives maintain a local inventory of commonly used parts. For a free unit inspection and a specific parts list for your serial number, contact your local BAC Representative today.

Even with BAC's fast delivery capability, it is still recommended that certain essential and emergency repair part be maintained in your inventory to minimize any potential downtime.



Find my BAC Rep to order parts, get maintenance tips, and get a free unit inspection: www.baltimoreaircoil.com/RepFinder



Series 3000

Cooling Tower

ENDURADRIVE Configuration
Fan System

Basic Recommended Spare Parts

Basin Heater & LWCO (if equipped)

Float Valve Kit & Float Ball

Spray Nozzles

Suction Strainer

Parts to Consider if Extended Downtime is a Concern

Fan

Fan Motor



Scan to locate your local BAC Representative



PARTS MAP

Model: _____

Serial Number: _____

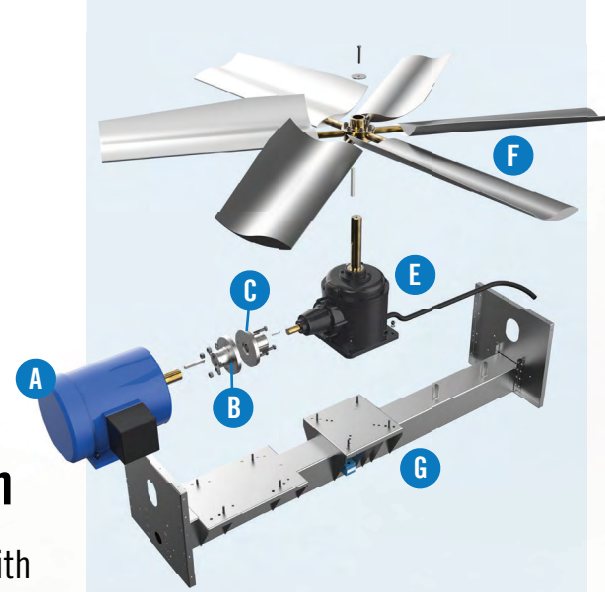
Notes:

Upper Casing Section

- 1 Hot Water Basin
- 2 Spray Nozzles
- 3 BACross III® Upper Fill with Integral Drift Eliminators
- 4 Axial Fan Assembly (see detailed view)
- 5 Fan Guard Assembly
- 6 Fan Cylinder
- 7 FRP Casing Panels

Series 3000 Cooling Tower

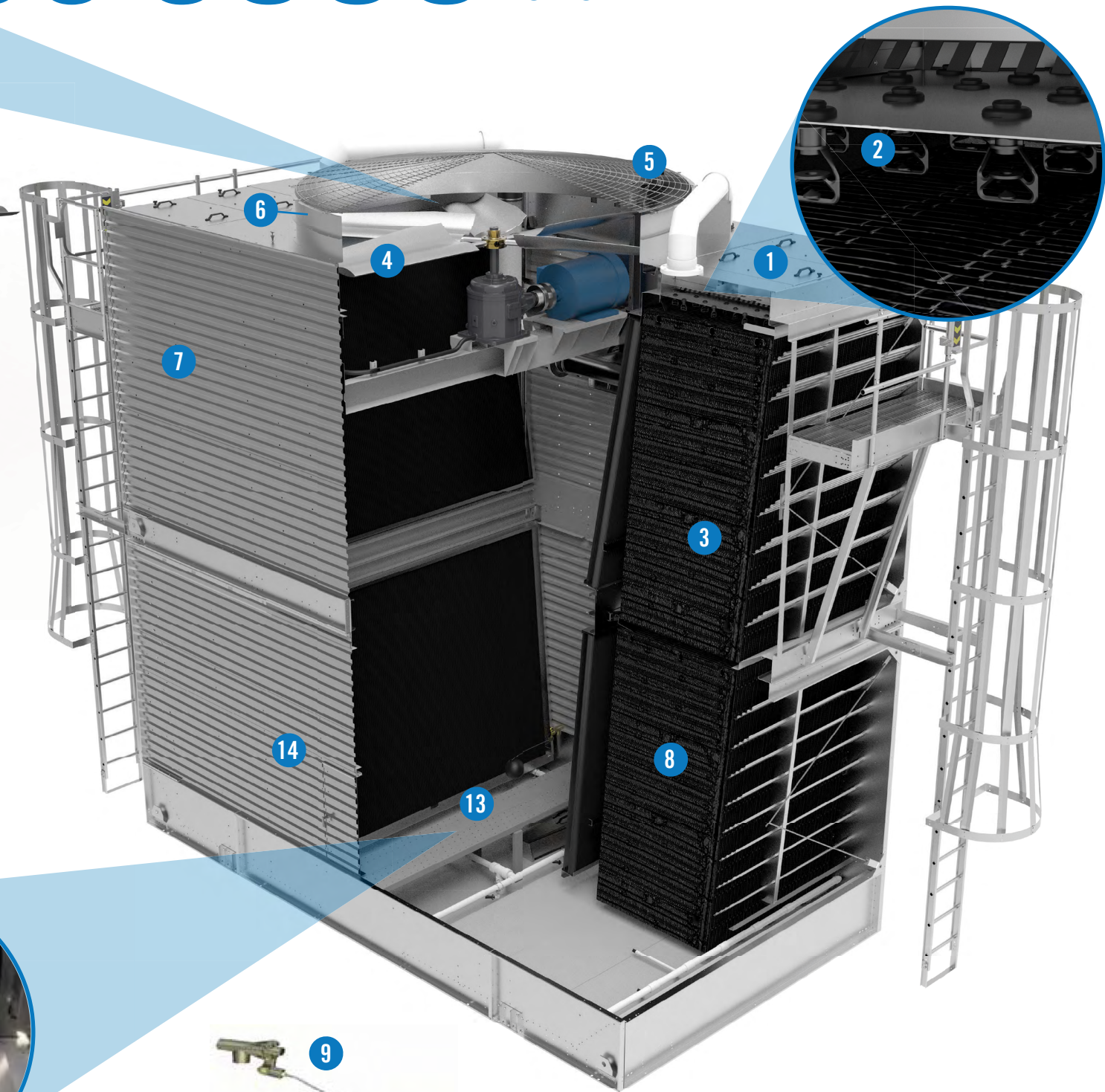
Axial Fan Assembly



- A Motor
- B Motor Coupling
- C Gear Coupling
- D Coupling Sleeve (not pictured)
- E Gear Box
- F Axial Fan and Bushing
- G ME Support
- H Motor Base (not pictured)

Lower Pan Section

- 8 BACross III® Lower Fill with Integral Drift Eliminators
- 9 Make-up Valve Assembly
- 10 Float Ball
- 11 Pan Strainer
- 12 Pan Strainer Hood
- 13 Internal Walkway
- 14 Access Door



Reduce Downtime
 Spare Parts List (page 2)

Recommended Spare Parts

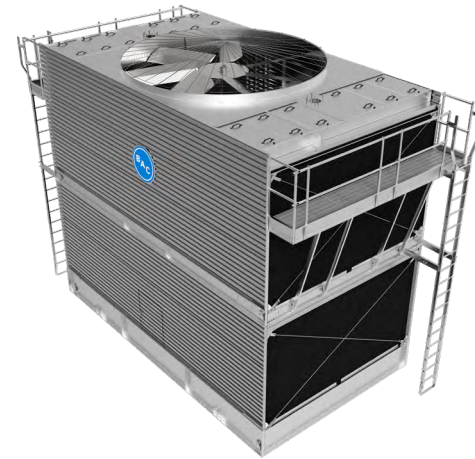
BAC Factory Authorized Parts are manufactured to meet rigorous specifications and are guaranteed to fit your unit and perform as original equipment.

BAC Factory Authorized Parts can be ordered through your local BAC Representative. Most BAC Representatives maintain a local inventory of commonly used parts. For a free unit inspection and a specific parts list for your serial number, contact your local BAC Representative today.

Even with BAC's fast delivery capability, it is still recommended that certain essential and emergency repair part be maintained in your inventory to minimize any potential downtime.



Find my BAC Rep to order parts, get maintenance tips, and get a free unit inspection: www.baltimoreaircoil.com/RepFinder



Series 3000

Cooling Tower

Gear Drive Configuration

Basic Recommended Spare Parts

Belts

Basin heater & LWCO (if equipped)

Float valve kit & float ball

Solenoid valve (if unit is equipped with EWLC option)

Spray nozzles

Suction strainer

Inlet strainer (if equipped)

Parts to Consider for Critical Applications

Prop fans with bushings

Fan motor

Gear (if equipped)

Gear couplings (internal motor application)

Gear drive shaft (External motor application)



Scan to locate your local BAC Representative