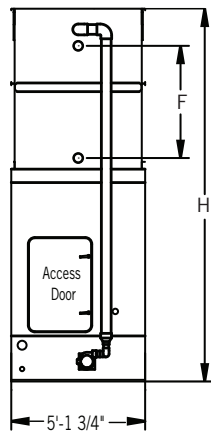
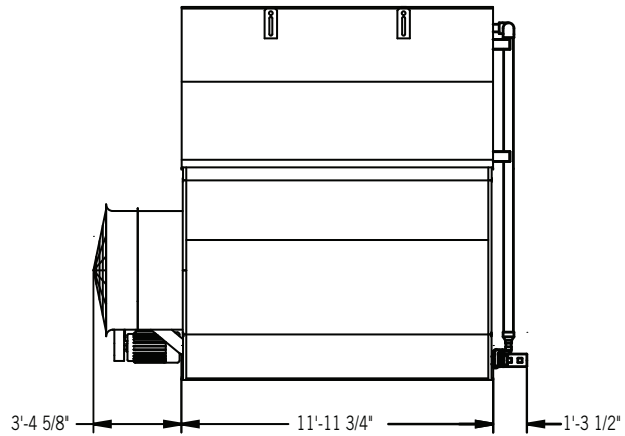


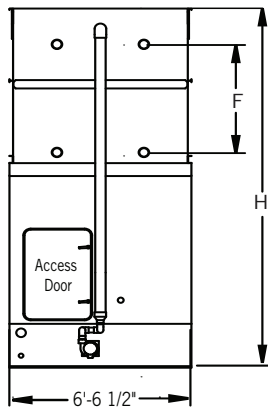
# VCA Engineering Data



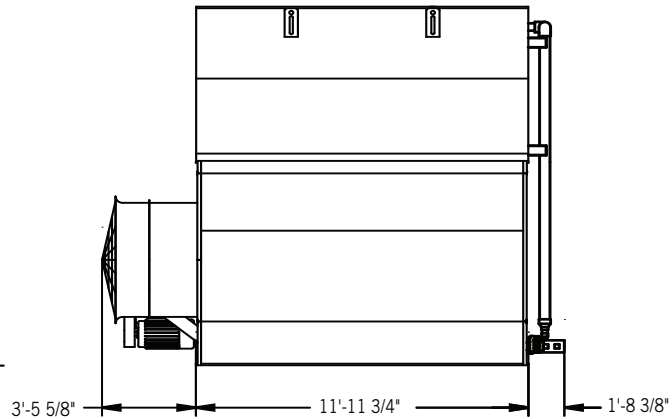
Face A: VCA 5' x 12' Units



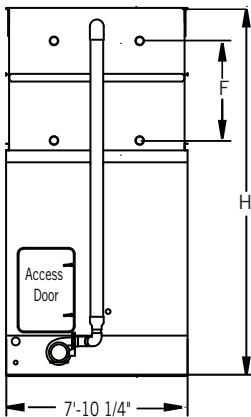
Face C: VCA 5' x 12' Units



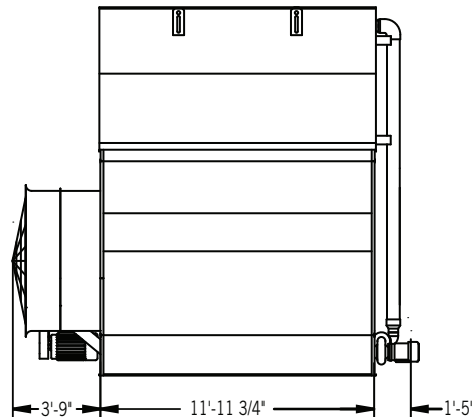
Face A: VCA 6' x 12' Units



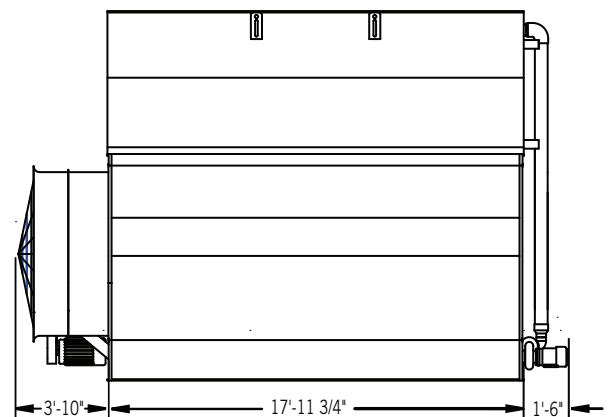
Face C: VCA 6' x 12' Units



Face A: VCA 8' x 12' and 8' x 18' Units



Face C: VCA 8' x 12' Units



Face C: VCA 8' x 18' Units



**NOTE:** Up-to-date engineering data, free product selection software, and more can be found at [www.BaltimoreAircoil.com](http://www.BaltimoreAircoil.com).



Nom. Box Size	Model Number <sup>(1)</sup>	Base Heat Rejection (MBH)	R-717 Tons <sup>(2)</sup>	Fan Motor (HP)	Airflow Rate (CFM)	Pump Motor (HP)	Spray Flow Rate (GPM)	Approximate Weight (lbs)			R-717 Operating Charge <sup>(5)</sup> (lbs)	Internal Coil Volume (ft <sup>3</sup> )	Remote Sump				
								Ship Weight	Heaviest Section <sup>(3)</sup>	Oper. Weight <sup>(4)</sup>			Drain Size <sup>(6)</sup> (in)	Volume Req. (gal)	Approx. Oper. Weight (lbs)	F	H
5' x 12'	VCA-122A	1,793	87	3	23,800	1.5	260	6,390	4,350	9,490	185	20	6	239	7,490	2'-10"	12'-10"
	VCA-138A	2,029	98	5	25,900			6,400	4,350	9,500	185	20			7,500	2'-10"	12'-10"
	VCA-150A	2,205	107	7.5	28,300			6,430	4,350	9,530	185	20			7,530	2'-10"	12'-10"
	VCA-161A	2,367	114	10	31,100			6,440	4,350	9,540	185	20			7,540	2'-10"	12'-10"
	VCA-154A	2,264	109	5	24,500			7,270	5,220	10,420	229	25			8,420	3'-7"	13'-7"
	VCA-170A	2,499	121	7.5	28,000			7,300	5,220	10,450	229	25			8,450	3'-7"	13'-7"
	VCA-182A	2,675	129	10	30,800			7,310	5,220	10,460	229	25			8,460	3'-7"	13'-7"
	VCA-178A	2,617	126	7.5	27,300			8,170	6,090	11,360	273	30			9,360	4'-4"	14'-4"
	VCA-191A	2,808	136	10	30,100			8,180	6,090	11,370	273	30			9,370	4'-4"	14'-4"
6' x 12'	VCA-174A	2,558	124	5	31,400	2	330	8,170	5,770	11,960	241	26	8	197	8,740	2'-10"	12'-10"
	VCA-192A	2,822	136	7.5	36,000			8,200	5,770	11,990	241	26			8,770	2'-10"	12'-10"
	VCA-206A	3,028	146	10	39,650			8,210	5,770	12,000	241	26			8,780	2'-10"	12'-10"
	VCA-227A	3,337	161	15	45,400			8,280	5,770	12,070	241	26			8,850	2'-10"	12'-10"
	VCA-195A	2,867	138	5	30,600			9,310	6,910	13,160	299	32			9,940	3'-7"	13'-7"
	VCA-215A	3,161	153	7.5	35,050			9,340	6,910	13,190	299	32			9,970	3'-7"	13'-7"
	VCA-235A	3,455	167	10	38,750			9,350	6,910	13,200	299	32			9,980	3'-7"	13'-7"
	VCA-259A	3,807	184	15	44,400			9,420	6,910	13,270	299	32			10,050	3'-7"	13'-7"
8' x 12'	VCA-261A	3,837	185	10	43,400	3	400	11,720	8,170	16,230	362	39	8	243	12,550	3'-7"	15'-2"
	VCA-288A	4,234	204	15	49,700			11,800	8,170	16,310	362	39			12,630	3'-7"	15'-2"
	VCA-308A	4,528	219	20	54,700			11,830	8,170	16,340	362	39			12,660	3'-7"	15'-2"
	VCA-273A	4,013	194	10	42,400			13,080	9,530	17,660	432	47			13,980	4'-4"	16'-0"
	VCA-301A	4,425	214	15	48,550			13,160	9,530	17,740	432	47			14,060	4'-4"	16'-0"
	VCA-322A	4,733	229	20	53,400			13,190	9,530	17,770	432	47			14,090	4'-4"	16'-0"
	VCA-323A	4,748	229	10	59,100			14,990	9,810	21,710	436	47			16,150	2'-10"	14'-5"
8' x 18'	VCA-356A	5,233	253	15	67,650	5	600	15,070	9,810	21,790	436	47	10	332	16,230	2'-10"	14'-5"
	VCA-382A	5,601	271	20	74,500			15,090	9,810	21,810	436	47			16,250	2'-10"	14'-5"
	VCA-396A	5,821	281	15	65,700			17,070	11,810	23,900	541	58			18,340	3'-7"	15'-2"
	VCA-424A	6,233	301	20	72,300			17,090	11,810	23,920	541	58			18,360	3'-7"	15'-2"
	VCA-416A	6,115	295	15	64,200			19,070	13,810	26,000	647	70			20,440	4'-4"	16'-0"
	VCA-446A	6,556	317	20	70,650			19,090	13,810	26,020	647	70			20,460	4'-4"	16'-0"

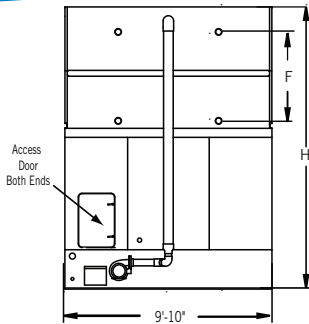


**NOTES:**

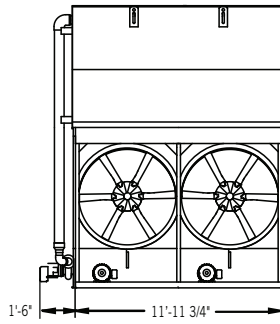
1. Model number denotes nominal tons using R-22 at a 105°F condensing temperature, a 40°F suction temperature, and a 78°F entering wet-bulb temperature.
2. R-717 tons are at a 96.3°F condensing temperature, a 20°F suction temperature, and a 78°F entering wet-bulb temperature.
3. Unless otherwise noted, the coil section is the heaviest section.
4. Operating weight is for the unit with the water level at the overflow level and with the coil charged with R-717.
5. The R-22 operating charge is 1.93 times the R-717 charge; R-134a is 1.98 times.
6. Drain size is based on a bottom connection.
7. Coil inlet and outlet connections are 4" beveled for welding.

**Do not use for construction.** Refer to factory certified dimensions. This catalog includes data current at the time of publication, which should be reconfirmed at the time of purchase.

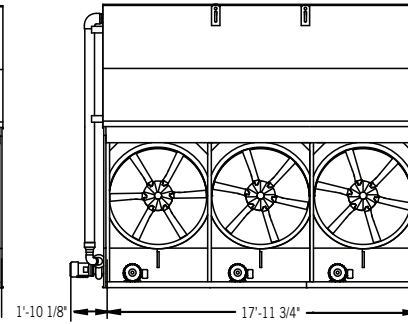
# VCA Engineering Data



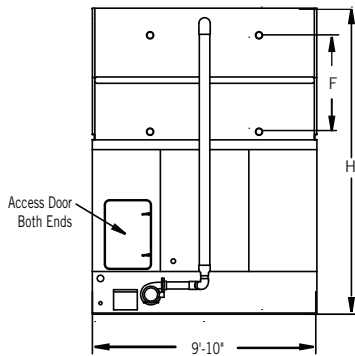
Face A: VCA 10' x 12' and 10' x 18' Units



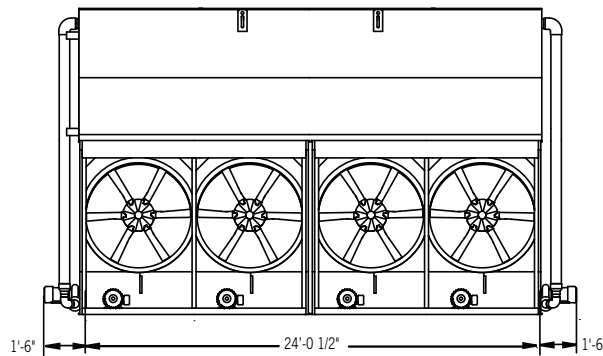
Face D: VCA 10' x 12' Units



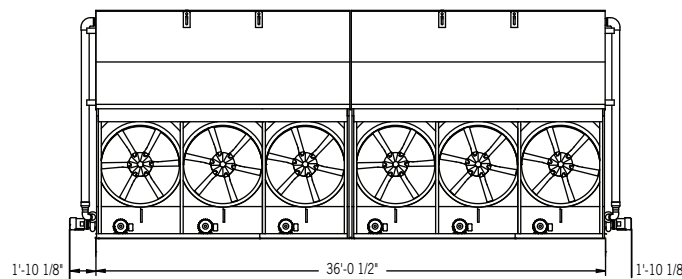
Face D: VCA 10' x 18' Units



Face A: VCA 10' x 24' and 10' x 36' Units



Face D: VCA 10' x 24' Units



Face D: VCA 10' x 36' Units

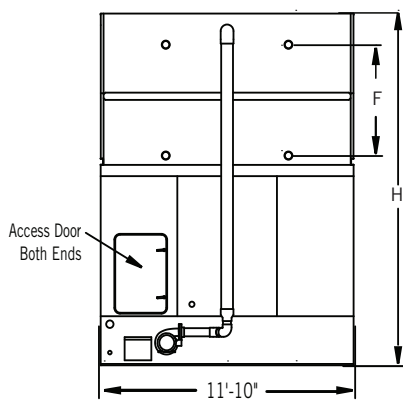
## NOTES:

1. Model number denotes nominal tons using R-22 at a 105°F condensing temperature, a 40°F suction temperature, and a 78°F entering wet-bulb temperature.
2. R-717 tons are at a 96.3°F condensing temperature, a 20°F suction temperature, and a 78°F entering wet-bulb temperature.
3. Unless otherwise noted, the coil section is the heaviest section.
4. Operating weight is for the unit with the water level at the overflow level and with the coil charged with R-717.
5. The R-22 operating charge is 1.93 times the R-717 charge; R-134a is 1.98 times.
6. Drain size is based on a bottom connection.
7. Coil inlet and outlet connections are 4" beveled for welding.

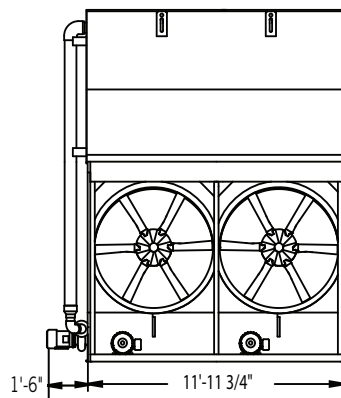
**Do not use for construction.** Refer to factory certified dimensions. This catalog includes data current at the time of publication, which should be reconfirmed at the time of purchase.

Nom. Box Size	Model Number <sup>(1)</sup>	Base Heat Rejection (MBH)	R-717 Tons <sup>(2)</sup>	Fan Motor (HP)	Airflow Rate (CFM)	Pump Motor (HP)	Spray Flow Rate (GPM)	Approximate Weight (lbs)			R-717 Operating Charge <sup>(5)</sup> (lbs)	Internal Coil Volume (ft <sup>3</sup> )	Remote Sump				
								Ship Weight	Heaviest Section <sup>(3)</sup>	Oper. Weight <sup>(4)</sup>			Drain Size <sup>(6)</sup> (in)	Volume Req. (gal)	Approx. Oper. Weight (lbs)	F	H
10' x 12'	VCA-300A	4,410	213	(2) 5	59,800	5	500	12,270	8,360	18,340	370	40	8	305	13,740	2'-10"	13'-10"
	VCA-331A	4,866	235	(2) 7.5	68,500			12,330	8,360	18,400	370	40			13,800	2'-10"	13'-10"
	VCA-340A	4,998	241	(2) 5	55,400			13,950	10,040	20,110	458	50			15,510	3'-7"	14'-7"
	VCA-375A	5,513	266	(2) 7.5	63,400			14,010	10,040	20,170	458	50			15,570	3'-7"	14'-7"
	VCA-402A	5,909	285	(2) 10	69,800			14,030	10,040	20,190	458	50			15,590	3'-7"	14'-7"
	VCA-407A	5,983	289	(2) 10	65,400			15,710	11,720	21,960	547	59			17,360	4'-4"	15'-4"
	VCA-401A	5,895	285	(2) 7.5	54,500			16,660	12,690	22,970	608	66			18,370	4'-4"	15'-4"
	VCA-429A	6,306	305	(2) 10	60,000			16,680	12,690	22,990	608	66			18,390	4'-4"	15'-4"
	VCA-473A	6,953	336	(2) 15	68,600			16,820	12,690	23,130	608	66			18,530	4'-4"	15'-4"
	VCA-393A	5,777	279	(2) 5	49,900			18,440	14,530	24,850	707	76			20,250	5'-1"	16'-2"
	VCA-433A	6,365	307	(2) 7.5	57,100			18,500	14,530	24,910	707	76			20,310	5'-1"	16'-2"
	VCA-464A	6,821	329	(2) 10	62,800			18,520	14,530	24,930	707	76			20,330	5'-1"	16'-2"
	VCA-512A	7,526	364	(2) 15	71,900			18,660	14,530	25,070	707	76			20,470	5'-1"	16'-2"
10' x 18'	VCA-460A	6,762	327	(3) 5	87,700	7.5	760	17,770	12,010	26,970	551	60	10	418	19,950	2'-10"	13'-10"
	VCA-507A	7,453	360	(3) 7.5	100,400			17,870	12,010	27,070	551	60			20,050	2'-10"	13'-10"
	VCA-543A	7,982	386	(3) 10	110,500			17,900	12,010	27,100	551	60			20,080	2'-10"	13'-10"
	VCA-510A	7,497	362	(3) 5	87,200			20,260	14,500	29,600	685	74			22,580	3'-7"	14'-7"
	VCA-560A	8,232	398	(3) 7.5	95,700			20,360	14,500	29,700	685	74			22,680	3'-7"	14'-7"
	VCA-600A	8,820	426	(3) 10	105,300			20,390	14,500	29,730	685	74			22,710	3'-7"	14'-7"
	VCA-585A	8,600	415	(3) 7.5	93,600			22,860	17,000	32,330	819	88			25,310	4'-4"	15'-4"
	VCA-620A	9,114	440	(3) 10	100,500			22,890	17,000	32,360	819	88			25,340	4'-4"	15'-4"
	VCA-488A	7,174	346	(3) 3	60,300			24,240	18,510	33,800	912	98			26,780	4'-4"	15'-4"
	VCA-609A	8,952	432	(3) 7.5	81,800			24,370	18,510	33,930	912	98			26,910	4'-4"	15'-4"
	VCA-653A	9,599	464	(3) 10	90,000			24,400	18,510	33,960	912	98			26,940	4'-4"	15'-4"
	VCA-707A	10,393	502	(3) 10	94,200			27,150	21,260	36,860	1,061	115			29,840	5'-1"	16'-2"
	VCA-779A	11,451	553	(3) 15	107,900			27,370	21,260	37,080	1,061	115			30,060	5'-1"	16'-2"
10' x 24'	VCA-662A	9,731	470	(4) 7.5	137,000	(2) 5	1,020	24,750	8,410	36,900	740	80	(2) 8	582	27,870	2'-10"	13'-10"
	VCA-680A	9,996	483	(4) 5	110,800			27,990	10,090	40,310	917	99			31,280	3'-7"	14'-7"
	VCA-750A	11,025	533	(4) 7.5	126,800			28,110	10,090	40,430	917	99			31,400	3'-7"	14'-7"
	VCA-804A	11,819	571	(4) 10	139,600			28,160	10,090	40,480	917	99			31,450	3'-7"	14'-7"
	VCA-760A	11,172	540	(4) 7.5	118,800			31,470	11,770	43,970	1,094	118			34,940	4'-4"	15'-4"
	VCA-814A	11,966	578	(4) 10	130,800			31,520	11,770	44,020	1,094	118			34,990	4'-4"	15'-4"
	VCA-858A	12,613	609	(4) 10	120,000			33,460	12,740	46,080	1,216	131			37,050	4'-4"	15'-4"
	VCA-946A	13,906	672	(4) 15	137,200			33,740	12,740	46,360	1,216	131			37,330	4'-4"	15'-4"
	VCA-866A	12,730	615	(4) 7.5	114,200			37,090	14,580	49,910	1,414	153			40,890	5'-1"	16'-2"
	VCA-928A	13,642	659	(4) 10	125,600			37,140	14,580	49,960	1,414	153			40,940	5'-1"	16'-2"
	VCA-1024A	15,053	727	(4) 15	143,800			37,420	14,580	50,240	1,414	153			41,220	5'-1"	16'-2"
	VCA-S700A	10,296	497	(4) 5	110,800			27,250	19,440	39,570	912	99			30,540	3'-7"	14'-7"
	VCA-S828A	12,173	588	(4) 10	139,600			27,420	19,440	39,740	912	99			30,710	3'-7"	14'-7"
VCA-S838A	12,325	595	(4) 10	130,800	30,730	22,750	43,230	1,092	118	34,200	4'-4"	15'-4"					
VCA-S884A	12,991	627	(4) 10	120,000	32,790	24,810	45,410	1,216	131	36,380	4'-4"	15'-4"					
10' x 36'	VCA-920A	13,524	653	(6) 5	175,400	(2) 7.5	1,540	35,710	12,100	54,110	1,102	119	(2) 10	807	40,240	2'-10"	13'-10"
	VCA-1086A	15,964	771	(6) 10	221,000			35,970	12,100	54,370	1,102	119			40,500	2'-10"	13'-10"
	VCA-1020A	14,994	724	(6) 5	174,400			40,700	14,590	59,370	1,370	148			45,500	3'-7"	14'-7"
	VCA-1120A	16,464	795	(6) 7.5	191,400			40,890	14,590	59,560	1,370	148			45,690	3'-7"	14'-7"
	VCA-1200A	17,640	852	(6) 10	210,600			40,960	14,590	59,630	1,370	148			45,760	3'-7"	14'-7"
	VCA-1062A	15,611	754	(6) 5	163,600			45,690	17,090	64,630	1,638	177			50,760	4'-4"	15'-4"
	VCA-1169A	17,199	831	(6) 7.5	187,200			45,880	17,090	64,820	1,638	177			50,950	4'-4"	15'-4"
	VCA-1240A	18,228	880	(6) 10	201,000			45,950	17,090	64,890	1,638	177			51,020	4'-4"	15'-4"
	VCA-1218A	17,905	865	(6) 7.5	163,600			48,900	18,600	68,030	1,823	197			54,160	4'-4"	15'-4"
	VCA-1306A	19,198	927	(6) 10	180,000			48,970	18,600	68,100	1,823	197			54,230	4'-4"	15'-4"
	VCA-1414A	20,786	1,004	(6) 10	188,400			54,460	21,340	73,880	2,122	229			60,010	5'-1"	16'-2"
	VCA-1558A	22,903	1,106	(6) 15	215,800			54,890	21,340	74,310	2,122	229			60,440	5'-1"	16'-2"

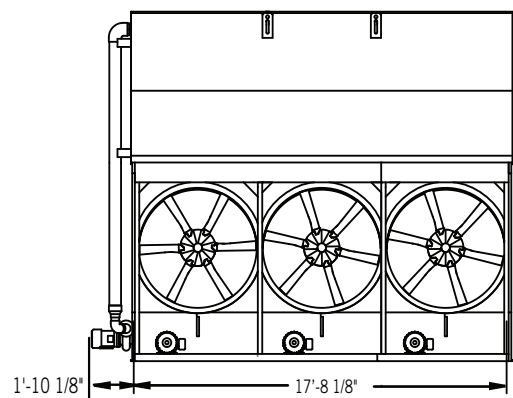
# VCA Engineering Data



Face A: VCA 12' x 12' and 12' x 18' Units



Face D: VCA 12' x 12' Units



Face D: VCA 12' x 18' Units



## NOTES:

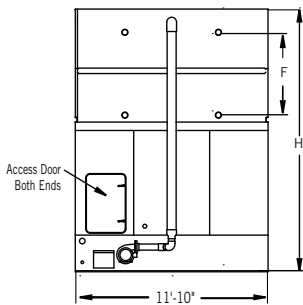
1. Model number denotes nominal tons using R-22 at a 105°F condensing temperature, a 40°F suction temperature, and a 78°F entering wet-bulb temperature.
2. R-717 tons are at a 96.3°F condensing temperature, a 20°F suction temperature, and a 78°F entering wet-bulb temperature.
3. Unless otherwise noted, the coil section is the heaviest section.
4. Operating weight is for the unit with the water level at the overflow level and with the coil charged with R-717.
5. The R-22 operating charge is 1.93 times the R-717 charge; R-134a is 1.98 times.
6. Drain size is based on a bottom connection..

**Do not use for construction.** Refer to factory certified dimensions. This catalog includes data current at the time of publication, which should be reconfirmed at the time of purchase.

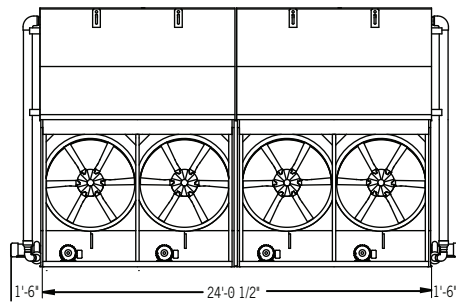


Nom. Box Size	Model Number <sup>(1)</sup>	Base Heat Rejection (MBH)	R-717 Tons <sup>(2)</sup>	Fan Motor (HP)	Airflow Rate (CFM)	Pump Motor (HP)	Spray Flow Rate (GPM)	Approximate Weight (lbs)			R-717 Operating Charge <sup>(5)</sup> (lbs)	Internal Coil Volume (ft <sup>3</sup> )	Remote Sump				
								Ship Weight	Heaviest Section <sup>(3)</sup>	Oper. Weight <sup>(4)</sup>			Drain Size <sup>(6)</sup> (in)	Volume Req. (gal)	Approx. Oper. Weight (lbs)	F	H
12' x 12'	VCA-302A	4,439	214	(2) 3	50,400	5	610	14,040	10,020	21,770	455	49	8	506	17,050	2'-10"	13'-10"
	VCA-342A	5,027	243	(2) 5	59,750			14,060	10,020	21,790	455	49			17,070	2'-10"	13'-10"
	VCA-377A	5,542	268	(2) 7.5	68,400			14,020	10,020	21,750	455	49			17,030	2'-10"	13'-10"
	VCA-404A	5,939	287	(2) 10	75,300			14,040	10,020	21,770	455	49			17,050	2'-10"	13'-10"
	VCA-381A	5,601	271	(2) 5	59,800			16,040	12,070	23,880	564	61			19,160	3'-7"	14'-7"
	VCA-420A	6,174	298	(2) 7.5	68,400			16,070	12,070	23,910	564	61			19,190	3'-7"	14'-7"
	VCA-451A	6,630	320	(2) 10	73,100			16,090	12,070	23,930	564	61			19,210	3'-7"	14'-7"
	VCA-471A	6,924	334	(2) 10	71,400			18,130	14,110	26,080	673	73			21,360	4'-4"	15'-4"
	VCA-513A	7,541	364	(2) 15	81,750			18,200	14,110	26,150	673	73			21,430	4'-4"	15'-4"
	VCA-491A	7,218	349	(2) 10	71,200			19,170	15,150	27,180	735	79			22,460	4'-4"	15'-4"
	VCA-541A	7,953	384	(2) 15	81,500			19,240	15,150	27,250	735	79			22,530	4'-4"	15'-4"
	VCA-580A	8,526	412	(2) 20	89,700			19,480	15,150	27,490	735	79			22,770	4'-4"	15'-4"
	VCA-537A	7,894	381	(2) 10	67,300			21,290	17,270	29,420	854	92			24,700	5'-1"	16'-2"
	VCA-584A	8,600	415	(2) 15	77,040			21,360	17,270	29,490	854	92			24,770	5'-1"	16'-2"
	VCA-626A	9,202	444	(2) 20	85,200			21,460	17,270	29,590	854	92			24,870	5'-1"	16'-2"
	VCA-661A	9,717	469	(2) 25	91,800			21,600	17,270	29,730	854	92			25,010	5'-1"	16'-2"
12' x 18'	VCA-526A	7,732	373	(3) 5	89,700	7.5	920	20,240	14,570	31,950	679	73	10	695	24,500	2'-10"	13'-10"
	VCA-581A	8,541	413	(3) 7.5	102,650			20,270	14,570	31,980	679	73			24,530	2'-10"	13'-10"
	VCA-623A	9,158	442	(3) 10	113,000			20,280	14,570	31,990	679	73			24,540	2'-10"	13'-10"
	VCA-582A	8,555	413	(3) 5	87,000			23,280	17,610	35,160	844	91			27,710	3'-7"	14'-7"
	VCA-642A	9,437	456	(3) 7.5	99,600			23,310	17,610	35,190	844	91			27,740	3'-7"	14'-7"
	VCA-688A	10,114	488	(3) 10	109,650			23,320	17,610	35,200	844	91			27,750	3'-7"	14'-7"
	VCA-602A	8,849	427	(3) 5	85,100			26,320	20,650	38,360	1,009	109			30,910	4'-4"	15'-4"
	VCA-664A	9,761	471	(3) 7.5	97,400			26,350	20,650	38,390	1,009	109			30,940	4'-4"	15'-4"
	VCA-711A	10,452	505	(3) 10	107,150			26,360	20,650	38,400	1,009	109			30,950	4'-4"	15'-4"
	VCA-785A	11,540	557	(3) 15	122,650			26,440	20,650	38,480	1,009	109			31,030	4'-4"	15'-4"
	VCA-751A	11,025	533	(3) 10	106,800			27,940	22,230	40,070	1,102	119			32,620	4'-4"	15'-4"
	VCA-827A	12,157	587	(3) 15	122,200			28,020	22,230	40,150	1,102	119			32,700	4'-4"	15'-4"
	VCA-887A	13,039	630	(3) 20	134,500			28,160	22,230	40,290	1,102	119			32,840	4'-4"	15'-4"
	VCA-895A	13,157	635	(3) 15	115,000			31,230	25,440	43,540	1,282	138			36,090	5'-1"	16'-2"
	VCA-957A	14,068	679	(3) 20	126,080			31,370	25,440	43,680	1,282	138			36,230	5'-1"	16'-2"
	VCA-1010A	14,847	717	(3) 25	135,800			31,500	25,440	43,810	1,282	138			36,360	5'-1"	16'-2"

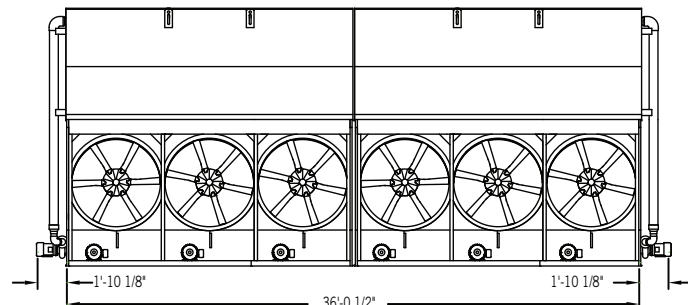
# VCA Engineering Data



**Face A:**  
VCA 12' x 24' and 12' x 36' Units



**Face D: VCA 12' x 24' Units**



**Face D: VCA 12' x 36' Units**



## NOTES:

1. Model number denotes nominal tons using R-22 at a 105°F condensing temperature, a 40°F suction temperature, and a 78°F entering wet-bulb temperature.
2. R-717 tons are at a 96.3°F condensing temperature, a 20°F suction temperature, and a 78°F entering wet-bulb temperature.
3. Unless otherwise noted, the coil section is the heaviest section.
4. Operating weight is for the unit with the water level at the overflow level and with the coil charged with R-717.
5. The R-22 operating charge is 1.93 times the R-717 charge; R-134a is 1.98 times.
6. Drain size is based on a bottom connection..

**Do not use for construction.** Refer to factory certified dimensions. This catalog includes data current at the time of publication, which should be reconfirmed at the time of purchase.



Nom. Box Size	Model Number <sup>(1)</sup>	Base Heat Rejection (MBH)	R-717 Tons <sup>(2)</sup>	Fan Motor (HP)	Airflow Rate (CFM)	Pump Motor (HP)	Spray Flow Rate (GPM)	Approximate Weight (lbs)			R-717 Operating Charge <sup>(5)</sup> (lbs)	Internal Coil Volume (ft <sup>3</sup> )	Remote Sump			F	H
								Ship Weight	Heaviest Section <sup>(3)</sup>	Oper. Weight <sup>(4)</sup>			Drain Size <sup>(6)</sup> (in)	Volume Req. (gal)	Approx. Oper. Weight (lbs)		
12' x 24'	VCA-605A	8,894	430	(4) 3	100,800	(2) 5	1,240	28,030	10,090	43,490	911	98	(2) 8	986	34,060	2'-10"	13'-10"
	VCA-684A	10,055	486	(4) 5	119,500			28,050	10,090	43,510	911	98			34,080	2'-10"	13'-10"
	VCA-754A	11,084	535	(4) 7.5	136,800			28,090	10,090	43,550	911	98			34,120	2'-10"	13'-10"
	VCA-808A	11,878	574	(4) 10	150,600			28,100	10,090	43,560	911	98			34,130	2'-10"	13'-10"
	VCA-762A	11,201	541	(4) 5	119,600			32,140	12,140	47,810	1,129	122			38,380	3'-7"	14'-7"
	VCA-840A	12,348	596	(4) 7.5	136,800			32,180	12,140	47,850	1,129	122			38,420	3'-7"	14'-7"
	VCA-902A	13,259	640	(4) 10	146,200			32,190	12,140	47,860	1,129	122			38,430	3'-7"	14'-7"
	VCA-879A	12,921	624	(4) 7.5	129,800			36,270	14,180	52,160	1,347	145			42,730	4'-4"	15'-4"
	VCA-942A	13,847	669	(4) 10	142,800			36,280	14,180	52,170	1,347	145			42,740	4'-4"	15'-4"
	VCA-1026A	15,082	728	(4) 15	163,500			36,360	14,180	52,250	1,347	145			42,820	4'-4"	15'-4"
	VCA-982A	14,435	697	(4) 10	142,400			38,340	15,210	54,350	1,470	159			44,920	4'-4"	15'-4"
	VCA-1082A	15,905	768	(4) 15	163,000			38,420	15,210	54,430	1,470	159			45,000	4'-4"	15'-4"
	VCA-1160A	17,052	824	(4) 20	179,400			38,730	15,210	54,740	1,470	159			45,310	4'-4"	15'-4"
	VCA-1075A	15,803	763	(4) 10	134,600			42,590	17,340	58,840	1,708	184			49,420	5'-1"	16'-2"
	VCA-1170A	17,199	831	(4) 15	154,080			42,670	17,340	58,920	1,708	184			49,500	5'-1"	16'-2"
	VCA-1252A	18,404	889	(4) 20	170,400			42,840	17,340	59,090	1,708	184			49,670	5'-1"	16'-2"
	VCA-1321A	19,419	938	(4) 25	183,600			42,980	17,340	59,230	1,708	184			49,810	5'-1"	16'-2"
	VCA-S870A	12,789	618	(4) 7.5	136,800			31,450	23,540	47,120	1,124	121			37,690	3'-7"	14'-7"
	VCA-S932A	13,700	662	(4) 10	146,200			31,460	23,540	47,130	1,124	121			37,700	3'-7"	14'-7"
	VCA-S972A	14,288	690	(4) 10	142,800			35,500	27,580	51,390	1,345	145			41,960	4'-4"	15'-4"
	VCA-S1071A	15,744	760	(4) 15	163,500			35,580	27,580	51,470	1,345	145			42,040	4'-4"	15'-4"
	VCA-S1019A	14,979	723	(4) 10	153,400			37,630	29,710	53,640	1,470	159			44,210	4'-4"	15'-4"
	VCA-S1124A	16,523	798	(4) 15	163,000			37,700	29,710	53,710	1,470	159			44,280	4'-4"	15'-4"
	VCA-S1204A	17,699	855	(4) 20	179,400			37,710	29,710	53,720	1,470	159			44,290	4'-4"	15'-4"
12' x 36'	VCA-930A	13,671	660	(6) 3	151,400	(2) 7.5	1,860	40,610	14,690	64,030	1,358	147	(2) 10	1,345	49,160	2'-10"	13'-10"
	VCA-1052A	15,464	747	(6) 5	179,400			40,630	14,690	64,050	1,358	147			49,180	2'-10"	13'-10"
	VCA-1162A	17,081	825	(6) 7.5	205,300			40,670	14,690	64,090	1,358	147			49,220	2'-10"	13'-10"
	VCA-1246A	18,316	885	(6) 10	226,000			40,690	14,690	64,110	1,358	147			49,240	2'-10"	13'-10"
	VCA-1284A	18,875	912	(6) 7.5	199,200			46,740	17,720	70,490	1,687	182			55,630	3'-7"	14'-7"
	VCA-1376A	20,227	977	(6) 10	219,300			46,760	17,720	70,510	1,687	182			55,650	3'-7"	14'-7"
	VCA-1204A	17,699	855	(6) 5	170,200			52,780	20,760	76,860	2,017	218			62,000	4'-4"	15'-4"
	VCA-1327A	19,507	942	(6) 7.5	194,800			52,820	20,760	76,900	2,017	218			62,040	4'-4"	15'-4"
	VCA-1422A	20,903	1,010	(6) 10	214,300			52,840	20,760	76,920	2,017	218			62,060	4'-4"	15'-4"
	VCA-1570A	23,079	1,115	(6) 15	245,300			52,920	20,760	77,000	2,017	218			62,140	4'-4"	15'-4"
	VCA-1501A	22,065	1,066	(6) 10	213,600			56,000	22,340	80,270	2,203	238			65,410	4'-4"	15'-4"
	VCA-1654A	24,314	1,174	(6) 15	244,400			56,080	22,340	80,350	2,203	238			65,490	4'-4"	15'-4"
	VCA-1774A	26,078	1,260	(6) 20	269,000			56,330	22,340	80,600	2,203	238			65,740	4'-4"	15'-4"
	VCA-1790A	26,313	1,271	(6) 15	230,000			62,490	25,550	87,120	2,564	277			72,260	5'-1"	16'-2"
	VCA-1914A	28,136	1,359	(6) 20	252,160			62,740	25,550	87,370	2,564	277			72,510	5'-1"	16'-2"
	VCA-2019A	29,679	1,433	(6) 25	271,600			62,870	25,550	87,500	2,564	277			72,640	5'-1"	16'-2"



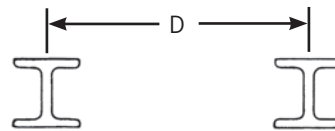
# Series V Models Structural Support



The recommended support arrangement for VCA, VC1, and VCL Evaporative Condensers consists of parallel structural members running the full length of the unit. In addition to providing adequate support, the members also serve to raise the unit above any solid foundation which might restrict air movement or prevent access to the unit. Refer to the BAC unit certified print for bolt hole location.

Center line distances between bolt holes are tabulated in the table below.

Model Number	D
VCA-122A thru 191A	4'-11 1/2"
VCA-174A thru 259A	6'-4 1/4"
VCA-261A thru 322A	7'-8"
VCA-323A thru 446A	7'-8"
VCA-300A thru 512A	9'-7 1/2"
VCA-460A thru 1558A	9'-7 1/2"
VCA-S700A thru S884A	9'-7 1/2"
VCA-302A thru 661A	11'-7 1/4"
VCA-526A thru 2019A	11'-7 1/4"
VCA-S870A thru S1204A	11'-7 1/4"
VC1-10 thru 25	3'-9 3/8"
VC1-30 thru 65	3'-9 3/8"
VC1-72 thru 90	3'-9 3/8"
VC1-100 thru 135	3'-9 3/8"
VC1-150 thru 205	4'-6 1/4"
VC1-N208 thru N315	7'-7 5/8"
VC1-N338 thru N470	7'-7 5/8"
VC1-386 thru 516	11'-7 1/4"
VC1-540 thru 804	11'-7 1/4"
VC1-772 thru 1032	11'-7 1/4"
VC1-1158 thru 1608	11'-7 1/4"
VC1-C216 thru C320	7'-1 5/8"
VC1-C339 thru C469	7'-1 5/8"
VCL-016 thru 035	3'-11"
VCL-038 thru 079	3'-11"
VCL-087 thru 120	3'-11"
VCL-134 thru 155	3'-11"
VCL-167 thru 234	7'-8 1/4"
VCL-257 thru 299	7'-8 1/4"



## NOTES:

1. Support members and anchor bolts shall be designed, furnished, and installed by others.
2. Design of support members and anchor bolts shall be in accordance with the strength and serviceability requirements of the applicable building code and project specifications.
3. Support members shall be level at the top.
4. Refer to the certified unit support drawing for loading and additional support requirements.
5. Models VC1-386 through VC1-1608 can be supported with structural members on nominal 10' wide centers. In this case, the fan section will overhang the supports approximately 2'. Contact your local BAC Representative for exact dimensions.
6. The length of the support members shall be at least equal to the length of the basin. Refer to Engineering Data for basin dimensions.
7. If vibration isolation (provided by others) is used, the isolators should be located under a structural base that complies with one of the recommended support arrangements. Contact your local BAC Representative for all other isolator configurations.