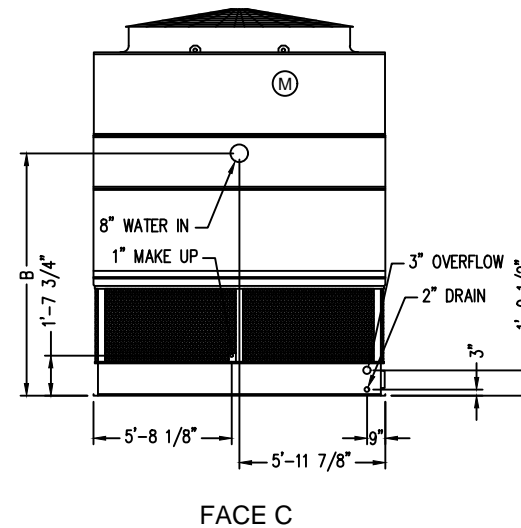


Notes

- 1) Unless otherwise indicated, connections 3" and smaller are NPT. Connections 4" and larger are grooved to suit a mechanical coupling and beveled for welding.
- 2) All dimensions are in feet and inches. Weights are in pounds and include options and accessories.
- 3) For weight loadings and support requirements, refer to the suggested steel support drawing.
- 4) The area above the fan discharge must be unobstructed.
- 5) Piping must not be supported by the tower inlet or outlet connections.
- 6) Unit weights include selected accessories.
- 7) M = Motor location.

Right Hand Unit

| Model Number | Shipping Weight | Operating Weight | Heaviest Section | "H" | "B" | "D" | "L" |
|---------------|-----------------|------------------|------------------|-------------|------------|--------|------------|
| PT2-1212A-1x1 | 6400 | 11640 | 4600 | 13'-10 1/2" | 7'-11 1/4" | 8'-4" | 4'-10 3/8" |
| PT2-1212A-2x1 | 6950 | 12190 | 5150 | 14'-10 1/2" | 8'-11 1/4" | 9'-4" | 4'-10 3/8" |
| PT2-1212A-3x1 | 7660 | 12900 | 5870 | 15'-10 1/2" | 9'-11 1/4" | 10'-4" | 4'-10 3/8" |
| PT2-1212A-4x1 | 7910 | 13680 | 5870 | 17'-4 1/2" | 11'-5 1/4" | 10'-4" | 6'-4 3/8" |
| PT2-1212A-5x1 | 8330 | 14100 | 6290 | 18'-4 1/2" | 12'-5 1/4" | 11'-4" | 6'-4 3/8" |



ORDER NO:

DATE:



BALTIMORE AIRCOIL COMPANY

**PT2 Single Cell Unit Print
Internal Belt Drive**

DRAWING NUMBER:
GEN-PT2-1212A