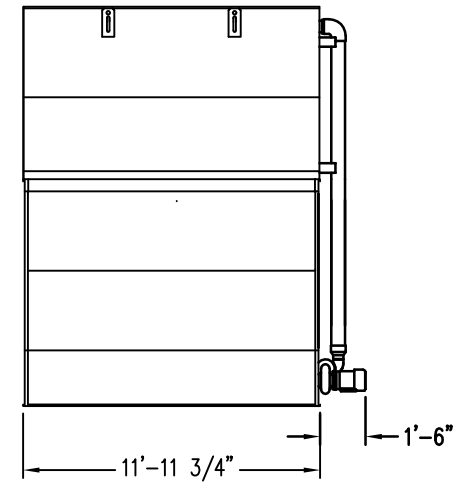


FACE D



FACE C

MODEL NO.	APPROX. SHIPPING WEIGHT	APPROX. OPERATING WEIGHT	HEAVIEST SECTION (COIL)	F	H
VCA-300A	12270	18340	8360	2'-9 1/4"	13'-9 1/2"
VCA-331A	12330	18400	8360	2'-9 1/4"	13'-9 1/2"
VCA-340A	13950	20110	10040	3'-6 1/2"	14'-6 3/4"
VCA-375A	14010	20170	10040	3'-6 1/2"	14'-6 3/4"
VCA-402A	14030	20190	10040	3'-6 1/2"	14'-6 3/4"
VCA-407A	15710	21960	11720	4'-3 3/4"	15'-4"
VCA-401A	16660	22970	12690	4'-3 3/4"	15'-4"
VCA-429A	16680	22990	12690	4'-3 3/4"	15'-4"
VCA-473A	16820	23130	12690	4'-3 3/4"	15'-4"
VCA-393A	18440	24850	14530	5'-1"	16'-1 1/4"
VCA-433A	18500	24910	14530	5'-1"	16'-1 1/4"
VCA-464A	18520	24930	14530	5'-1"	16'-1 1/4"
VCA-512A	18660	25070	14530	5'-1"	16'-1 1/4"

- Notes
- 1) All dimensions are in feet and inches. Weights are in pounds and do not include options and accessories.
 - 2) Unless otherwise indicated, connections 3" and smaller are NPT. Connections 4" and larger are grooved to suit a mechanical coupling and beveled for welding.
 - 3) Dimensions showing location of coil connections are approximate and should not be used for prefabrication of connecting piping.
 - 4) For weight loadings and support requirements, refer to the suggested steel support drawing.
 - 5) The area above the discharge must be unobstructed.
 - 6) Piping must not be supported by the unit inlet or outlet connections.
 - 7) M = Motor location, M1 = Large Motor Location, M2 = Small Motor Location

ORDER NO: _____

DATE: _____



Baltimore Aircoil

VCA Unit Print
10'x12' RH
DRAWING NUMBER: _____