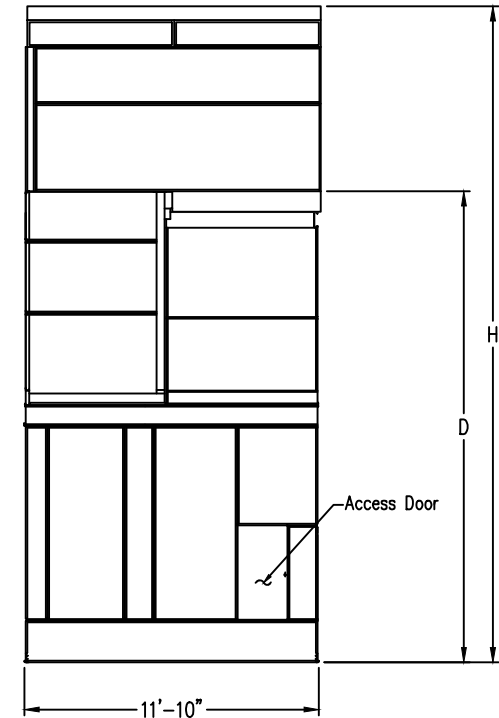
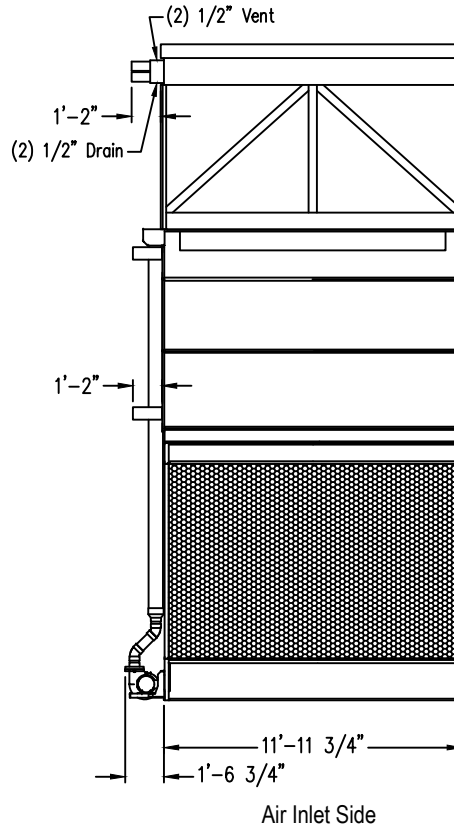
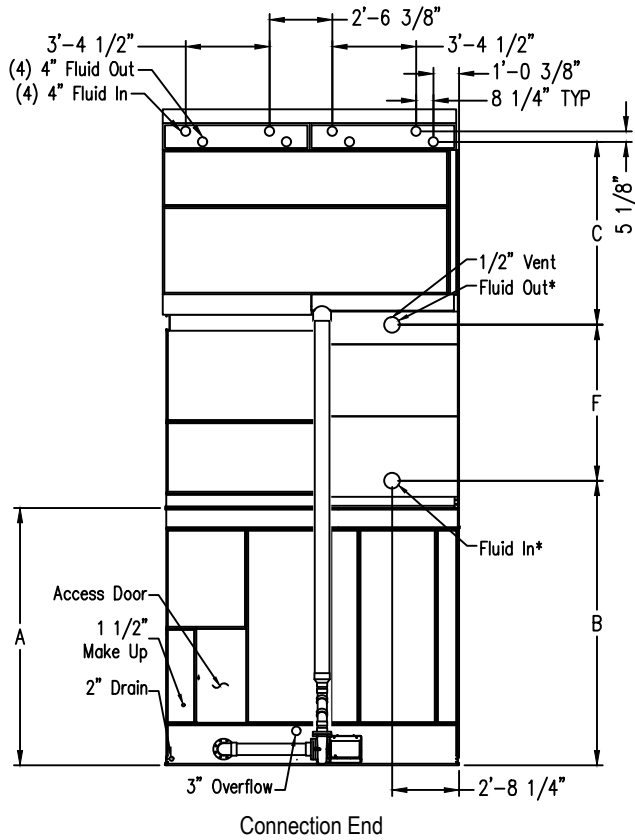


Notes

- 1) Do not use for construction. Refer to factory certified dimensions.
- 2) All dimensions are in feet and inches. Weights are in pounds. Volumes are in gallons.
- 3) Operating weight is for the base unit configuration with the water level in the cold water basin at overflow and does not include accessories.
- 4) The actual size, quantity, and location of the coil inlet and outlet connections will vary depending on the design flow rate and pressure drop requirements.
- 5) The wet coil inlet and outlet connections are NPS beveled for welding unless otherwise specified. The dry coil connections are capped and charged with nitrogen.



*See table for wet coil connection size.

Right Hand Unit

ORDER NO:

DATE:



Baltimore Aircoil

12 X 12 Unit Print

DRAWING NUMBER: