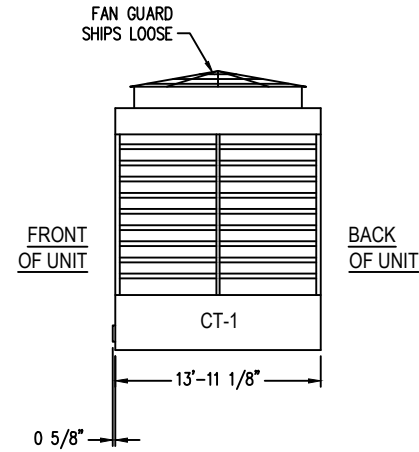


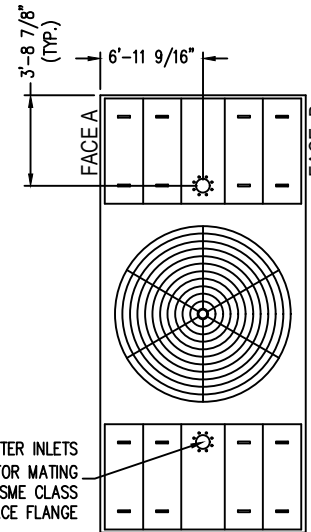
END ELEVATION (FACE A)



SIDE ELEVATION

Notes

- 1) Drawings are not to scale. All dimensions are in feet and inches. Weights are in pounds and include options and accessories.
- 2) Unless otherwise indicated, connections 3" and smaller are MPT. Connections 4" and larger are grooved to suit a mechanical coupling and beveled for welding.
- 3) Field piping should be fabricated at time of installation. Pre-fabrication of pipe work is not recommended.
- 4) Do not support piping from unit connections. All necessary piping supports to be supplied by others.
- 5) For weight loadings and support requirements, refer to the suggested unit support drawing.
- 6) The area above the fan discharge must be unobstructed.
- 7) Due to height limitations on truck shipments, some items shown may ship loose for field installation.
- 8) Outlet connections are sized for pump suction application at the design flow rate. They are based on the maximum flow rate through the strainer with basin water at standard operating level.



PLAN VIEW

STEEL LOUVERS  
STEEL CASING PANELS

MODEL NO.	SHIPPING WEIGHT	OPERATING WEIGHT	HEAVIEST SECTION WEIGHT
S5E-1424-07L	19460	38270	19460
S5E-1424-07M	19480	38290	19480
S5E-1424-07N	19620	38430	19620
S5E-1424-07O	19670	38480	19670
S5E-1424-07P	19830	38640	19830
S5E-1424-07Q	19840	38650	19840
S5E-1424-07R	19850	38660	19850

ORDER NO: \_\_\_\_\_

DATE: \_\_\_\_\_



**BALTIMORE AIRCOIL COMPANY**

**500E Unit Print  
One Piece Units**

DRAWING NUMBER:  
**UP-1424-07**