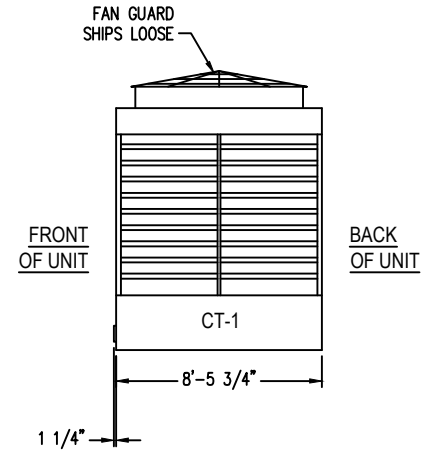


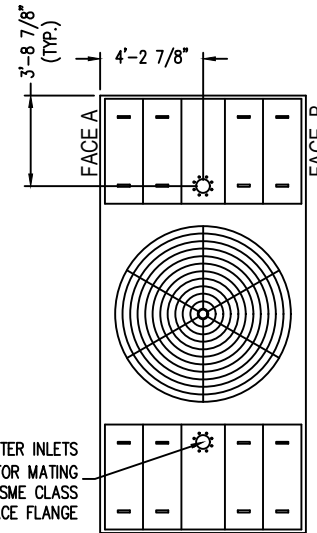
END ELEVATION (FACE A)



SIDE ELEVATION

Notes

- 1) Drawings are not to scale. All dimensions are in feet and inches. Weights are in pounds and include options and accessories.
- 2) Unless otherwise indicated, connections 3" and smaller are MPT. Connections 4" and larger are grooved to suit a mechanical coupling and beveled for welding.
- 3) Field piping should be fabricated at time of installation. Pre-fabrication of pipe work is not recommended.
- 4) Do not support piping from unit connections. All necessary piping supports to be supplied by others.
- 5) For weight loadings and support requirements, refer to the suggested unit support drawing.
- 6) The area above the fan discharge must be unobstructed.
- 7) Due to height limitations on truck shipments, some items shown may ship loose for field installation.
- 8) Outlet connections are sized for pump suction application at the design flow rate. They are based on the maximum flow rate through the strainer with basin water at standard operating level.



PLAN VIEW

MODEL NO.	SHIPPING WEIGHT	OPERATING WEIGHT	HEAVIEST SECTION WEIGHT
S5E-8518-07J	10840	20090	10840
S5E-8518-07K	10850	20100	10850
S5E-8518-07L	10920	20170	10920
S5E-8518-07M	10940	20190	10940
S5E-8518-07N	10970	20220	10970

STEEL LOUVERS
STEEL CASING PANELS



BALTIMORE AIRCOIL COMPANY

ORDER NO:

DATE:

**5000E Unit Print
One Piece Units**

DRAWING NUMBER:
UP-8518-07