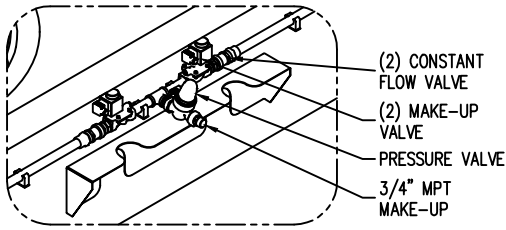
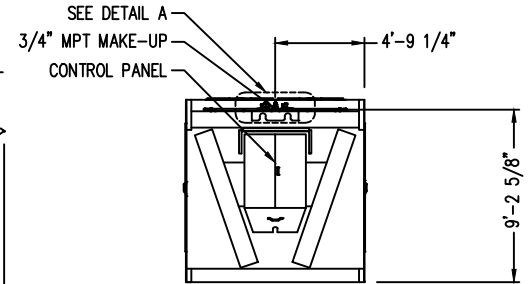
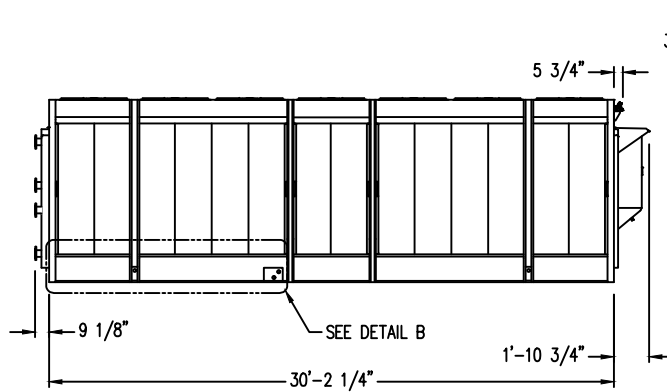
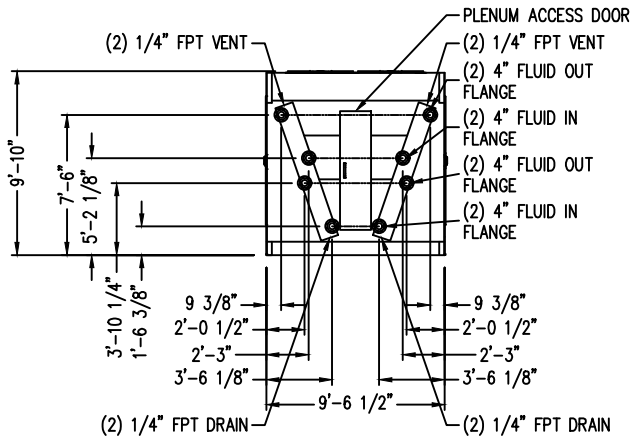
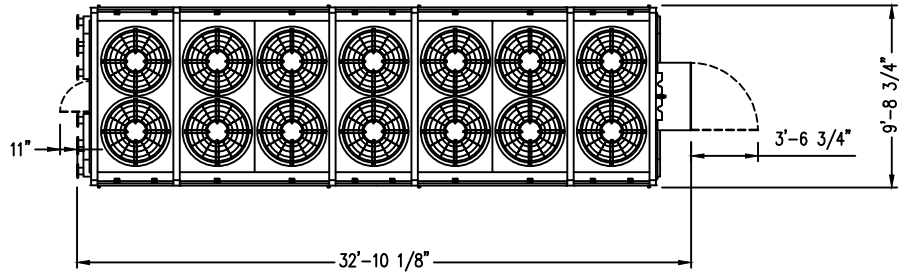


DETAIL A
(ISOMETRIC)

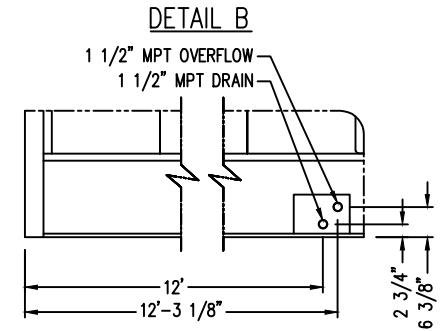
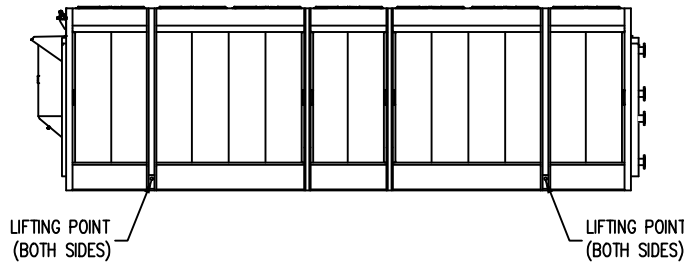


PLAN VIEW



Notes

- 1) All dimensions are in feet and inches. Weights are in pounds and include options and accessories.
- 2) Dimensions showing locations of coil & basin connections are approximate and should not be used for prefabrication of connecting piping.
- 3) For weight loadings and support requirements, refer to the suggested steel support drawing.
- 4) The area above the fan discharge must not be obstructed.
- 5) Field piping must not be supported by the unit inlet or outlet connections.



| Model Number | Shipping Weight | Operating Weight | Heaviest Section |
|--------------------|-----------------|------------------|------------------|
| TRF-1030N-C60F*60E | 17328 | 20856 | 17328 |
| TRF-1030N-C80F*60E | 18960 | 23149 | 18960 |

QUOTE NO:

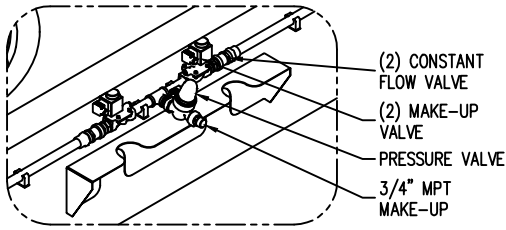
DATE: **7/9/2024 11:02:38 AM Revision=0**



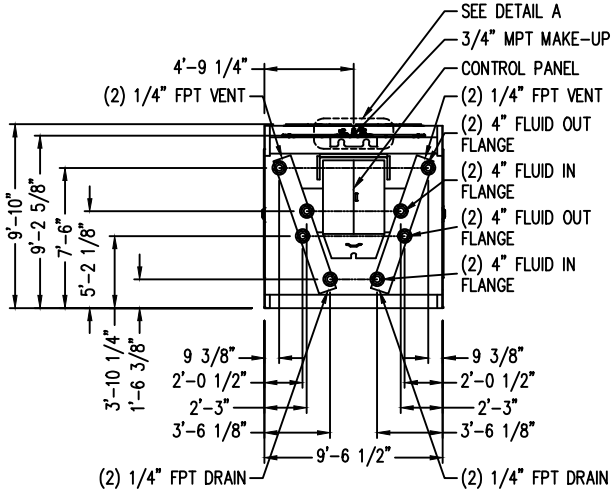
TrilliumSeries™ Adiabatic Cooler
Fourteen Fan Unit Print

DRAWING NUMBER:

DETAIL A
(ISOMETRIC)



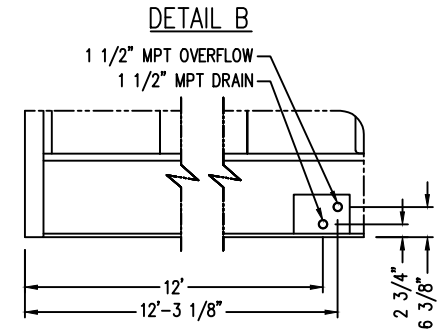
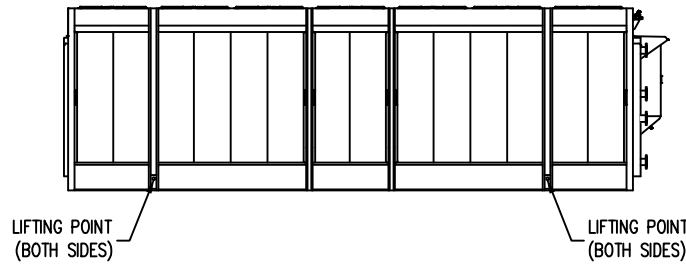
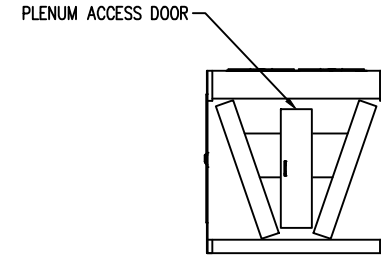
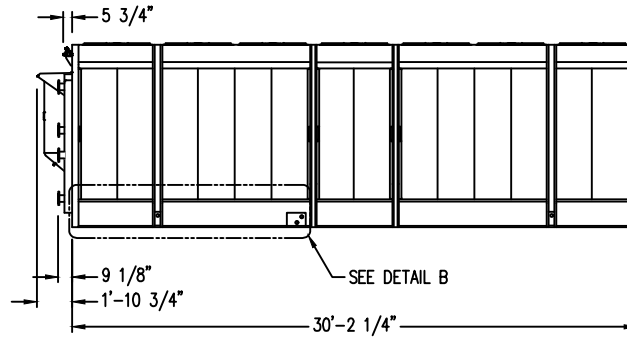
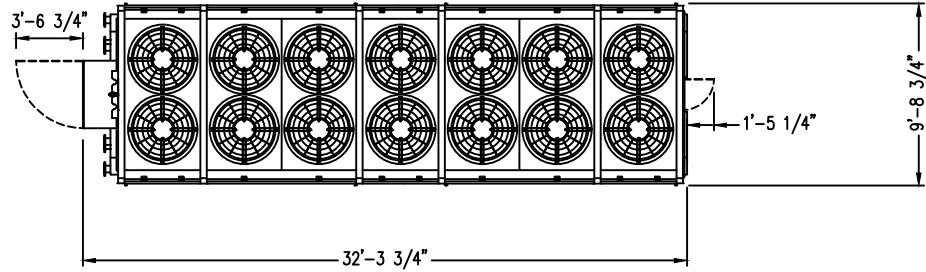
- (2) CONSTANT FLOW VALVE
- (2) MAKE-UP VALVE
- PRESSURE VALVE
- 3/4" MPT MAKE-UP



- Notes**
- 1) All dimensions are in feet and inches. Weights are in pounds and include options and accessories.
 - 2) Dimensions showing locations of coil & basin connections are approximate and should not be used for prefabrication of connecting piping.
 - 3) For weight loadings and support requirements, refer to the suggested steel support drawing.
 - 4) The area above the fan discharge must not be obstructed.
 - 5) Field piping must not be supported by the unit inlet or outlet connections.

| Model Number | Shipping Weight | Operating Weight | Heaviest Section |
|--------------------|-----------------|------------------|------------------|
| TRF-1030N-C60F*60E | 17328 | 20856 | 17328 |
| TRF-1030N-C80F*60E | 18960 | 23149 | 18960 |

PLAN VIEW



QUOTE NO:

DATE: **7/9/2024 11:31:13 AM Revision=0**



TrilliumSeries™ Adiabatic Cooler
Fourteen Fan Unit Print

DRAWING NUMBER: