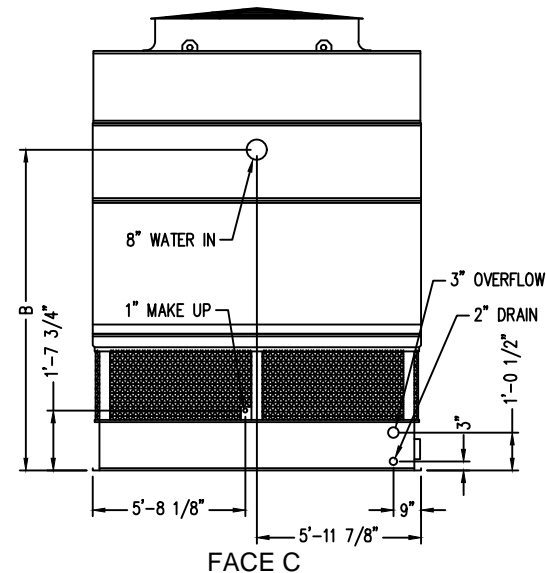


- Notes
- 1) Unless otherwise indicated, connections 3" and smaller are NPT. Connections 4" and larger are grooved to suit a mechanical coupling and beveled for welding.
  - 2) All dimensions are in feet and inches. Weights are in pounds and include options and accessories.
  - 3) For weight loadings and support requirements, refer to the suggested steel support drawing.
  - 4) The area above the fan discharge must be unobstructed.
  - 5) Piping must not be supported by the tower inlet or outlet connections.
  - 6) Unit weights include selected accessories.
  - 7) M = Motor location.
  - 8) External motor assembly ships loose for field installation.

Right Hand Unit

Model Number	Shipping Weight	Operating Weight	Heaviest Section	"H"	"B"	"D"	"L"
PT2-0812A-1x1	4510	8640	3220	11'-8"	7'-3 1/4"	6'-11 3/4"	4'-1 3/8"
PT2-0812A-2x1	4860	8990	3540	12'-8"	8'-3 1/4"	7'-11 3/4"	4'-1 3/8"
PT2-0812A-3x1	5230	9360	3880	13'-8"	9'-3 1/4"	8'-11 3/4"	4'-1 3/8"
PT2-0812A-4x1	5470	10000	3880	14'-8"	10'-3 1/4"	8'-11 3/4"	5'-1 3/8"
PT2-0812A-5x1	5790	10320	4200	15'-8"	11'-3 1/4"	9'-11 3/4"	5'-1 3/8"



ORDER NO:

DATE:



**BALTIMORE AIRCOIL COMPANY**

**PT2 Single Cell Unit Print  
External Belt Drive**

DRAWING NUMBER:  
**GEN-PT2-0812A**