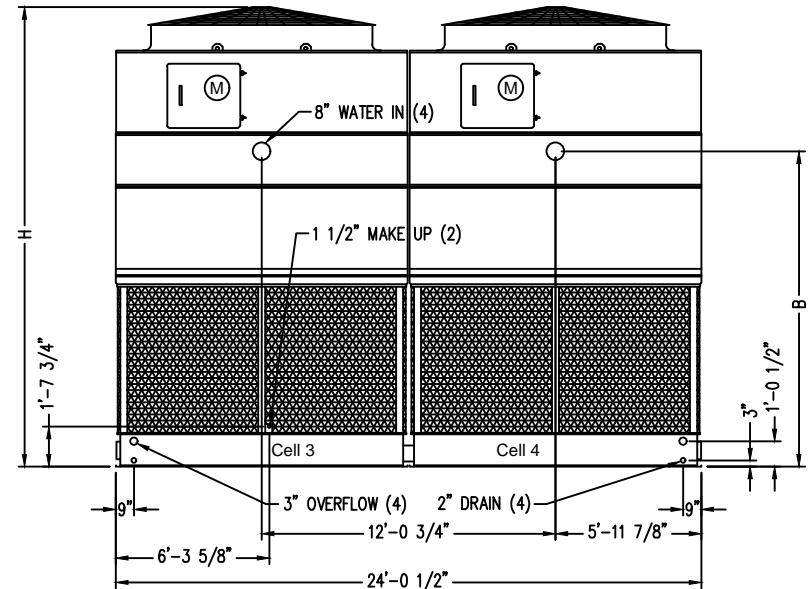


FACE A/B
(CONNECTIONS TYPICAL EACH END)



FACE C
(CONNECTIONS TYPICAL EACH SIDE)

Notes

- 1) Unless otherwise indicated, connections 3" and smaller are NPT. Connections 4" and larger are grooved to suit a mechanical coupling and beveled for welding.
- 2) All dimensions are in feet and inches. Weights are in pounds and include options and accessories.
- 3) For weight loadings and support requirements, refer to the suggested steel support drawing.
- 4) The area above the fan discharge must be unobstructed.
- 5) Piping must not be supported by the tower inlet or outlet connections.
- 6) Unit weights include selected accessories.
- 7) M = Motor location.

Model Number	Shipping Weight	Operating Weight	Heaviest Section	"H"	"B"	"D"
PT2-1012A-1L4	22380	41570	4050	16'-2 5/8"	10'-5 1/4"	8'-4"
PT2-1012A-1M4						
PT2-1012A-2L4	24160	43350	4430	17'-2 5/8"	11'-5 1/4"	9'-4"
PT2-1012A-2M4						
PT2-1012A-2N4						
PT2-1012A-2O4						
PT2-1012A-3L4	26430	45620	4810	18'-2 5/8"	12'-5 1/4"	10'-4"
PT2-1012A-3M4						
PT2-1012A-3N4						
PT2-1012A-3O4						

ORDER NO:

DATE:



BALTIMORE AIRCOIL COMPANY

**PT2 Quad Cell Unit Print
Internal Belt Drive**

DRAWING NUMBER:
GEN-PT2-1012A QUAD-CELL