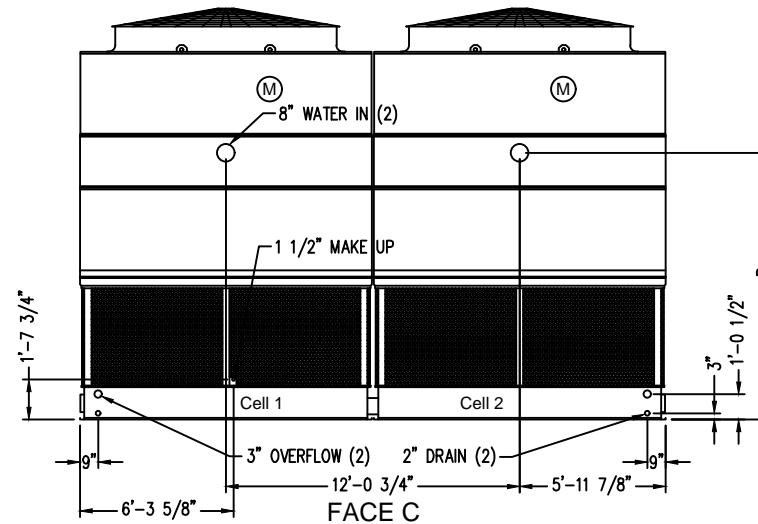


Notes

- 1) Unless otherwise indicated, connections 3" and smaller are NPT. Connections 4" and larger are grooved to suit a mechanical coupling and beveled for welding.
- 2) All dimensions are in feet and inches. Weights are in pounds and include options and accessories.
- 3) For weight loadings and support requirements, refer to the suggested steel support drawing.
- 4) The area above the fan discharge must be unobstructed.
- 5) Piping must not be supported by the tower inlet or outlet connections.
- 6) Unit weights include selected accessories.
- 7) M = Motor location.

Model Number	Shipping Weight	Operating Weight	Heaviest Section	"H"	"B"	"D"	"L"
PT2-1212A-1x2	12940	23410	4600	14'-10 1/2"	8'-11 1/4"	8'-4"	5'-10 3/8"
PT2-1212A-2x2	14050	24520	5150	15'-10 1/2"	9'-11 1/4"	9'-4"	5'-10 3/8"
PT2-1212A-3x2	15480	25950	5870	16'-10 1/2"	10'-11 1/4"	10'-4"	5'-10 3/8"
PT2-1212A-4x2	15970	27500	5870	18'-6 1/2"	12'-7 1/4"	10'-4"	7'-6 3/8"
PT2-1212A-5x2	16810	28350	6290	19'-6 1/2"	13'-7 1/4"	11'-4"	7'-6 3/8"



ORDER NO:

DATE:



**BALTIMORE  
AIRCOIL COMPANY**

**PT2 Two Cell Unit Print  
Internal Belt Drive**

DRAWING NUMBER:  
**GEN-PT2-1212A 2-CELL**