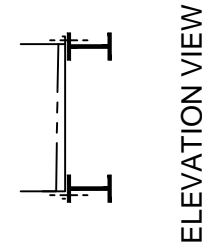
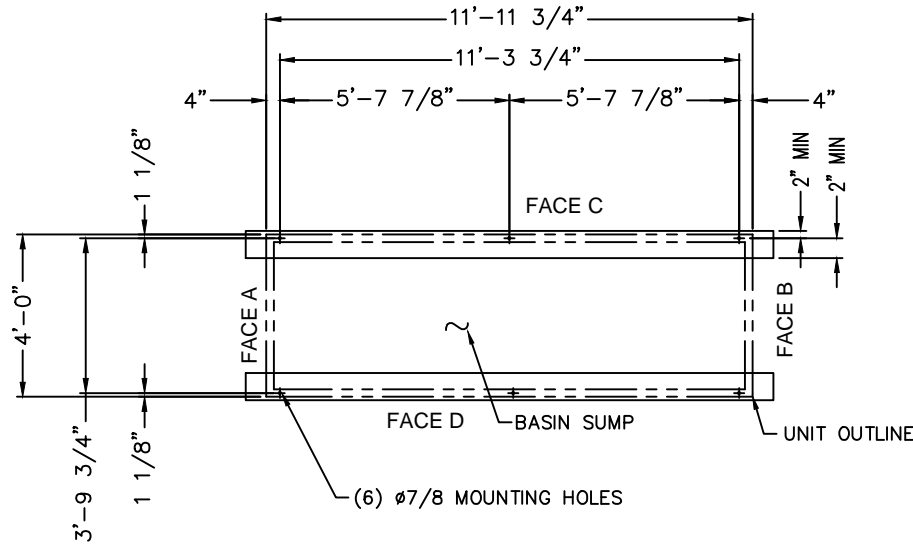


PLAN VIEW



ELEVATION VIEW

Model Number	Approx, Shipping Weight	Approx, Operating Weight
PFI-0412N-2DXDZ-X2	5400	8250
PFI-0412N-3DXDZ-X2	5730	8710
PFI-0412N-3DXEZ-X2	6110	9110
PFI-0412N-4DXDZ-X2	6140	9250
PFI-0412N-4DXEZ-X2	7030	10350
PFI-0412N-5DXEZ-X2	7710	11290
PFI-0412N-6DXDZ-X2	7370	10900
PFI-0412N-6DXEZ-X2	8010	11550

Notes

- 1) Drawings are not to scale. All dimensions are in feet and inches, weights are in pounds. Refer to submittal drawings for actual dimensions and weights.
- 2) Operating weight and weight loading are for units with water level in basin at overflow.
- 3) Unit support beams and anchor bolts to be designed and furnished by others.
- 4) Support beams must be flush and level at top.
- 5) All supporting steelwork must be designed in accordance with accepted structural practice. Maximum deflection of steelwork under unit to be 1/360 of span, not to exceed 1/2".
- 6) Each beam should be designed, as a minimum, for 65% of the total unit operation weight applied as a uniformly distributed load.

ORDER NO:

DATE:



**BALTIMORE AIRCOIL COMPANY**

**PFI Closed Circuit Cooling Tower  
Tabulated Steel Support - Plan A**

DRAWING NUMBER:  
**SS-PFI-0412**