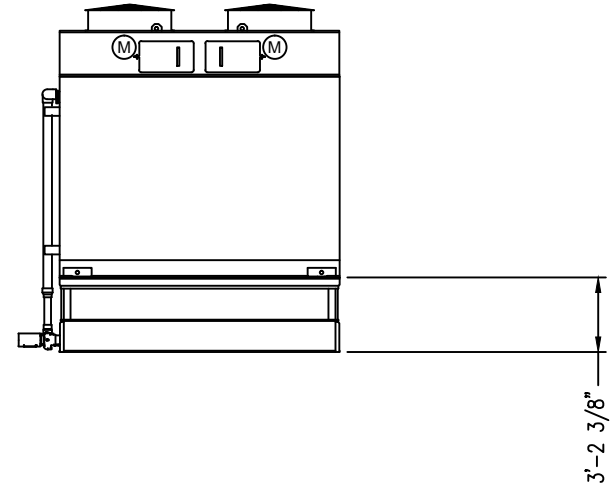
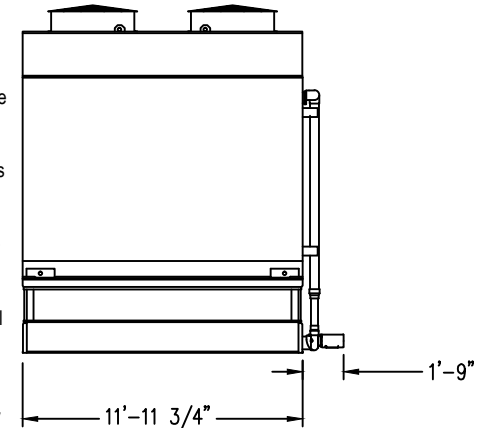


FACE A



FACE D



FACE C

Notes

- 1) Drawings are not to scale. All dimensions are in feet and inches.
- 2) Unless otherwise indicated, connections 3" and smaller are MPT. Connections 4" and larger are grooved to suit a mechanical coupling and beveled for welding.
- 3) Dimensions showing location of coil and basin connections are approximate and should not be used for prefabrication of connecting piping.
- 4) For weight loadings and support requirements, refer to the suggested steel support drawing.
- 5) Heaviest section is the combined weight of fan and coil sections, refer to the P-Series Counterflow Induced Draft Coil Products rigging and assembly manual for suggested lifting method.
- 6) The area above the discharge must be unobstructed.
- 7) Do not support piping from unit connections. All necessary piping supports to be supplied by others.
- 8) M = Motor location
- 9) External motor assembly ships loose for field installation.

Right Hand Unit

Model Number	Approx. Shipping Weight	Approx. Operating Weight	Heaviest Section Weight	F	H
PCC-0078-0412N006	5340	7640	4230	4'-0 5/8"	12'-5 1/2"
PCC-0090-0412N010	5380	7680	4270	4'-0 5/8"	12'-5 1/2"
PCC-0106-0412N010	6040	8380	4930	4'-0 5/8"	12'-5 1/2"
PCC-0122-0412N015	6810	9180	5700	4'-8 1/8"	13'-1"
PCC-0128-0412N015	7090	9480	5980	4'-8 1/8"	13'-1"
PCC-0118-0412N010	7570	9990	6460	6'-5 5/8"	14'-10 1/2"
PCC-0134-0412N015	7880	10310	6770	5'-3 5/8"	13'-8 1/2"

ORDER NO:

DATE:



**BALTIMORE AIRCOIL COMPANY**

**PCC Evaporative Condenser  
Tabulated Unit Print**

DRAWING NUMBER:  
**UP-PCC-0412**