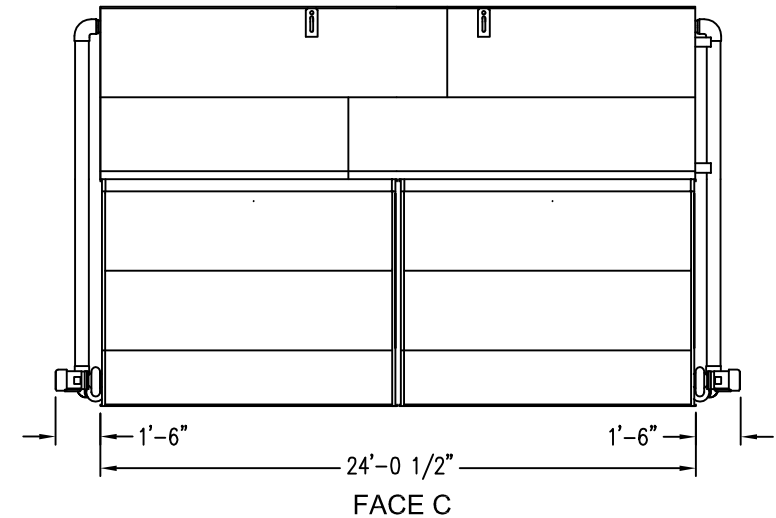


Notes

- 1) All dimensions are in feet and inches. Weights are in pounds and do not include options and accessories.
- 2) Unless otherwise indicated, connections 3" and smaller are NPT. Connections 4" and larger are grooved to suit a mechanical coupling and beveled for welding.
- 3) Dimensions showing location of coil connections are approximate and should not be used for prefabrication of connecting piping.
- 4) For weight loadings and support requirements, refer to the suggested steel support drawing.
- 5) The area above the discharge must be unobstructed.
- 6) Piping must not be supported by the unit inlet or outlet connections.
- 7) M = Motor location, M1 = Large Motor Location, M2 = Small Motor Location



MODEL NO.	APPROX. SHIPPING WEIGHT	APPROX. OPERATING WEIGHT	HEAVIEST SECTION (COIL)	F	H
VCA-S700A	27250	39570	19440	3'-6 1/2"	14'-6 3/4"
VCA-S828A	27420	39740	19440	3'-6 1/2"	14'-6 3/4"
VCA-S838A	30730	43230	22750	4'-3 3/4"	15'-4"
VCA-S884A	32790	45410	24810	4'-3 3/4"	15'-4"

ORDER NO:

DATE:



Baltimore Aircoil

VCA Unit Print  
10'x24' RH (Single)

DRAWING NUMBER: