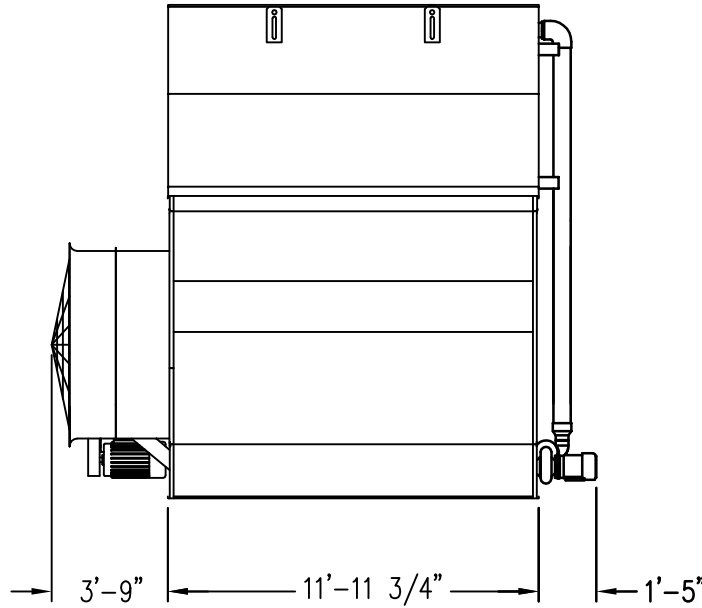
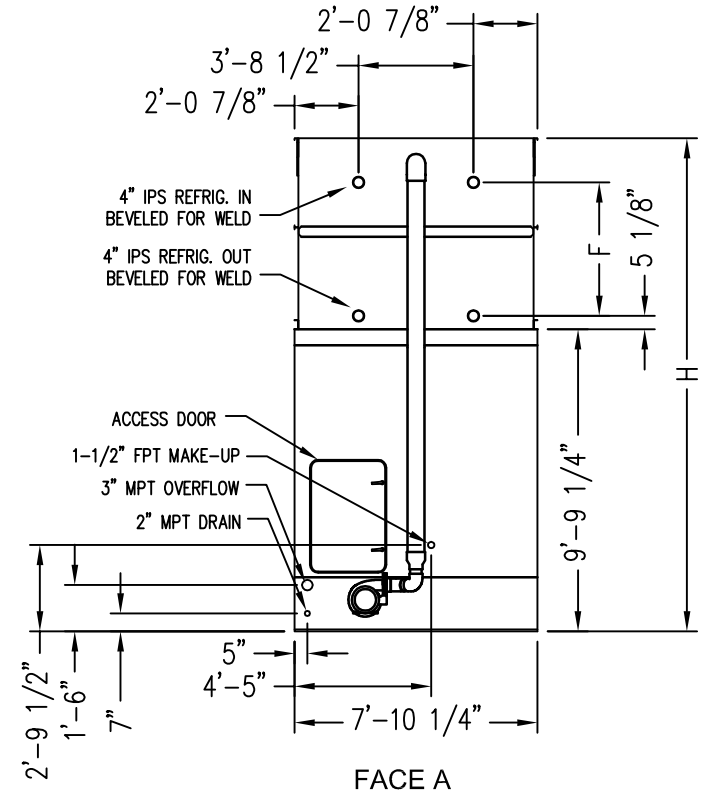


FACE B



FACE C



FACE A

Notes

- 1) All dimensions are in feet and inches. Weights are in pounds and do not include options and accessories.
- 2) Unless otherwise indicated, connections 3" and smaller are NPT. Connections 4" and larger are grooved to suit a mechanical coupling and beveled for welding.
- 3) Dimensions showing location of coil connections are approximate and should not be used for prefabrication of connecting piping.
- 4) For weight loadings and support requirements, refer to the suggested steel support drawing.
- 5) The area above the discharge must be unobstructed.
- 6) Piping must not be supported by the unit inlet or outlet connections.
- 7) M = Motor location, M1 = Large Motor Location, M2 = Small Motor Location

MODEL NO.	APPROX. SHIPPING WEIGHT	APPROX. OPERATING WEIGHT	HEAVIEST SECTION (COIL)	F	H
VCA-261A	11720	16230	8170	3'-6 1/2"	15'-2"
VCA-288A	11800	16310	8170	3'-6 1/2"	15'-2"
VCA-308A	11830	16340	8170	3'-6 1/2"	15'-2"
VCA-273A	13080	17660	9530	4'-3 3/4"	15'-11 1/4"
VCA-301A	13160	17740	9530	4'-3 3/4"	15'-11 1/4"
VCA-322A	13190	17770	9530	4'-3 3/4"	15'-11 1/4"

ORDER NO:

DATE:



Baltimore Aircoil

VCA Unit Print
8'x12'

DRAWING NUMBER: