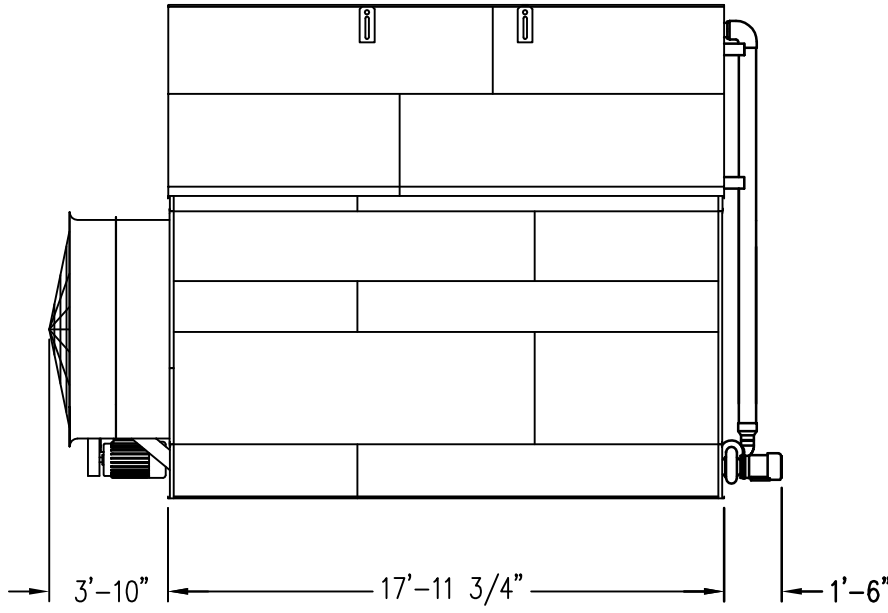
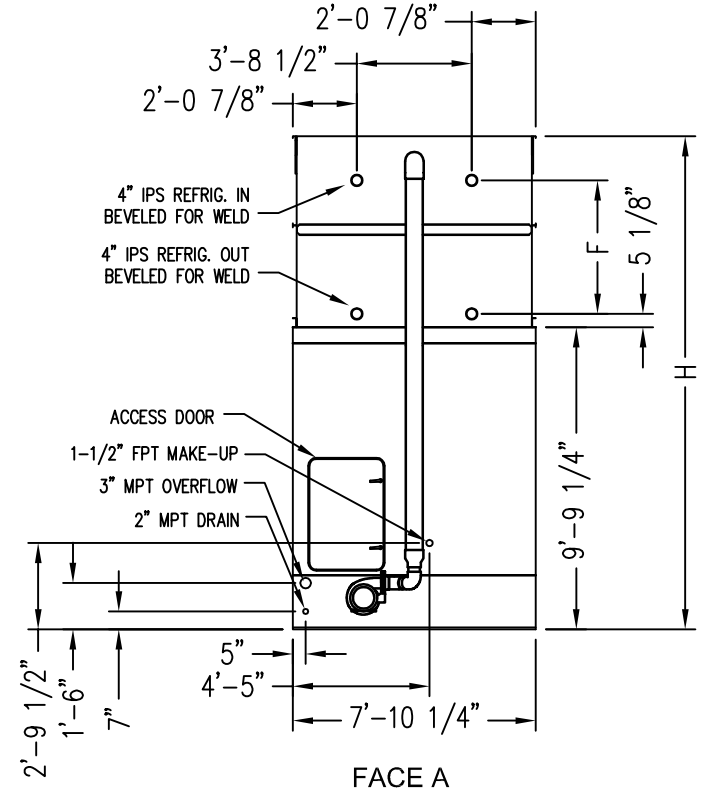


FACE B



FACE C



FACE A

Notes

- 1) All dimensions are in feet and inches. Weights are in pounds and do not include options and accessories.
- 2) Unless otherwise indicated, connections 3" and smaller are NPT. Connections 4" and larger are grooved to suit a mechanical coupling and beveled for welding.
- 3) Dimensions showing location of coil connections are approximate and should not be used for prefabrication of connecting piping.
- 4) For weight loadings and support requirements, refer to the suggested steel support drawing.
- 5) The area above the discharge must be unobstructed.
- 6) Piping must not be supported by the unit inlet or outlet connections.
- 7) M = Motor location, M1 = Large Motor Location, M2 = Small Motor Location

MODEL NO.	APPROX. SHIPPING WEIGHT	APPROX. OPERATING WEIGHT	HEAVIEST SECTION (COIL)	F	H
VCA-323A	14990	21710	9810	2'-9 1/4"	14'-4 3/4"
VCA-356A	15070	21790	9810	2'-9 1/4"	14'-4 3/4"
VCA-382A	15090	21810	9810	2'-9 1/4"	14'-4 3/4"
VCA-396A	17070	23900	11810	3'-6 1/2"	15'-2"
VCA-424A	17090	23920	11810	3'-6 1/2"	15'-2"
VCA-416A	19070	26000	13810	4'-3 3/4"	15'-11 1/4"
VCA-446A	19090	26020	13810	4'-3 3/4"	15'-11 1/4"

ORDER NO: _____

DATE: _____



VCA Unit Print
8'x18'

DRAWING NUMBER: _____