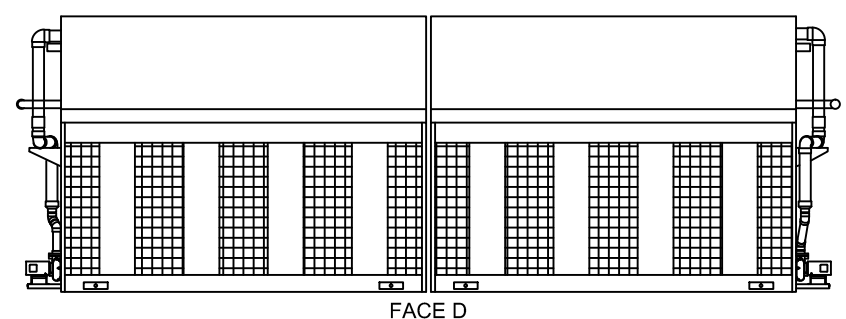
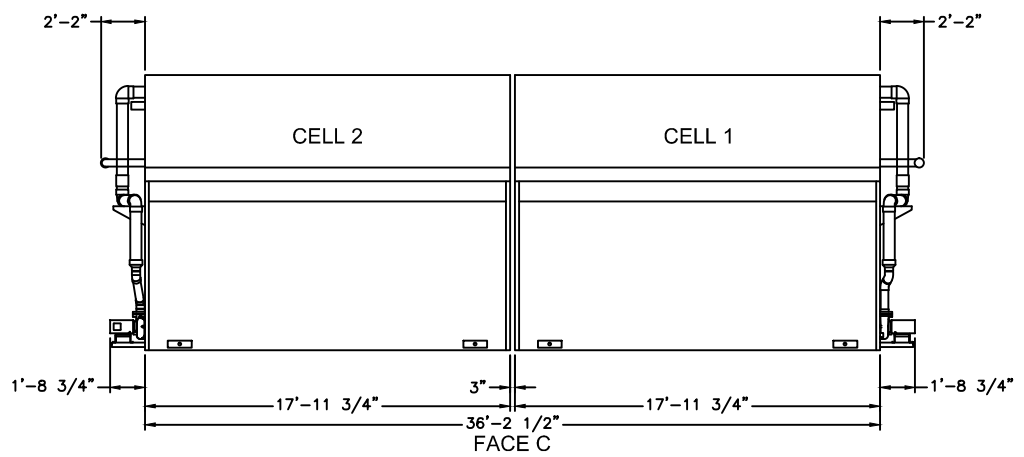
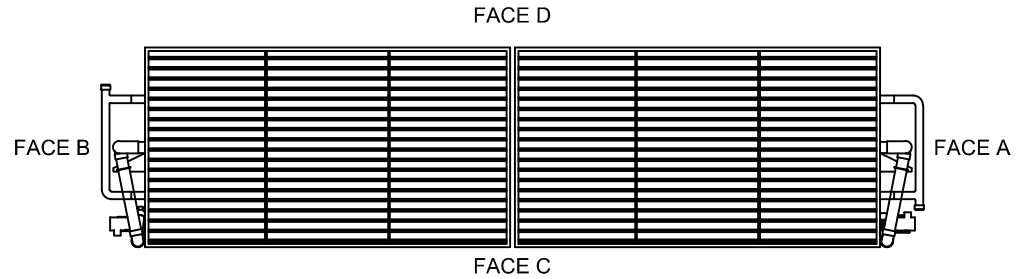
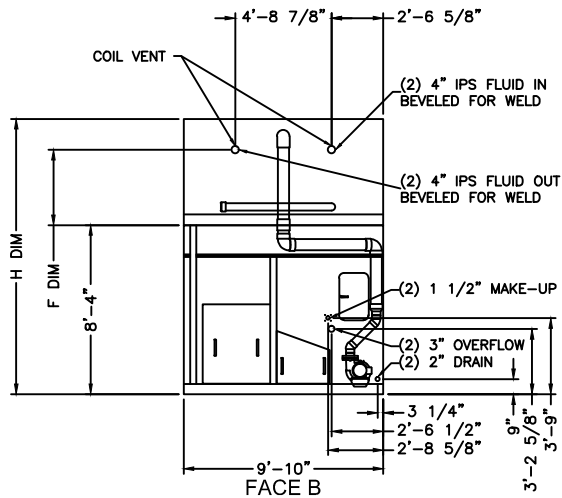


Notes

- 1) All dimensions are in feet and inches. Weights are in pounds.
- 2) Dimensions showing location of coil and spray water connections are approximate and should not be used for prefabrication of connecting piping.
- 3) The area above the discharge of the fan must be unobstructed.
- 4) For weight loading and support requirements refer to the suggested steel support drawing.
- 5) Do not support piping from unit connections. All necessary piping supports to be supplied by others.
- 6) Weights include all the options and accessories.
- 7) All unit piping connections 3" and smaller are MPT unless otherwise noted.
- 8) Coil is provided with a 1/2" threaded vent located on the upper outlet pipe stub.



Model Number	Operating Weight	Shipping Weight	Heaviest Section	H Dim	F Dim
VF1-1036N-4D2AT-N4	53940	38580	12120	13'-6 1/4"	3'-8 5/8"
VF1-1036N-4D2AT-O4	54140	38780	12120	13'-6 1/4"	3'-8 5/8"
VF1-1036N-4D2AT-P4	54780	39420	12120	13'-6 1/4"	3'-8 5/8"
VF1-1036N-4D2AT-Q4	55480	40120	12420	14'-0 1/4"	3'-8 5/8"
VF1-1036N-5D2AT-N4	59460	43200	14430	14'-3 1/2"	3'-6 1/2"
VF1-1036N-5D2AT-O4	59660	43400	14430	14'-3 1/2"	3'-6 1/2"
VF1-1036N-5D2AT-P4	60300	44040	14430	14'-3 1/2"	3'-6 1/2"
VF1-1036N-5D2AT-Q4	61000	44740	14730	14'-9 1/2"	3'-6 1/2"
VF1-1036N-6D2AT-N4	64750	47580	16620	14'-4"	4'-5 3/8"
VF1-1036N-6D2AT-O4	64950	47780	16620	14'-4"	4'-5 3/8"
VF1-1036N-6D2AT-P4	65590	48420	16620	14'-4"	4'-5 3/8"
VF1-1036N-6D2AT-Q4	66290	49120	16920	14'-10"	4'-5 3/8"
VF1-1036N-7D2AT-N4	70360	52280	18970	14'-11 1/2"	5'-1 3/8"
VF1-1036N-7D2AT-O4	70560	52480	18970	14'-11 1/2"	5'-1 3/8"
VF1-1036N-7D2AT-P4	71200	53120	18970	14'-11 1/2"	5'-1 3/8"
VF1-1036N-7D2AT-Q4	71900	53820	19270	15'-5 1/2"	5'-1 3/8"
VF1-1036N-8D2AT-N4	75830	56840	21250	15'-7"	5'-7 7/8"
VF1-1036N-8D2AT-O4	76030	57040	21250	15'-7"	5'-7 7/8"
VF1-1036N-8D2AT-P4	76670	57680	21250	15'-7"	5'-7 7/8"
VF1-1036N-8D2AT-Q4	77370	58380	21550	16'-1"	5'-7 7/8"

ORDER NO:

DATE:



BALTIMORE AIRCOIL COMPANY

VF1 Two Cell Unit Print

DRAWING NUMBER:
10x36 Circuited