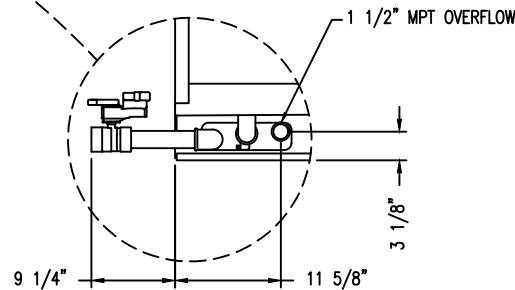
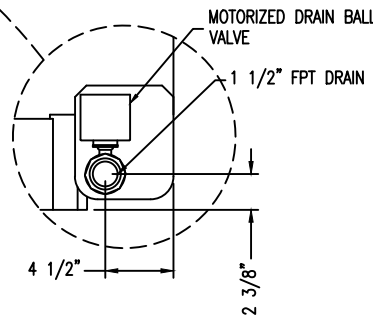
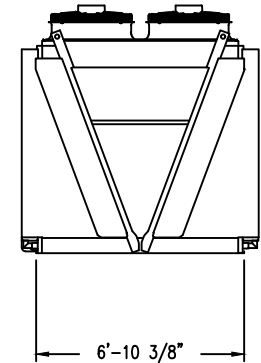
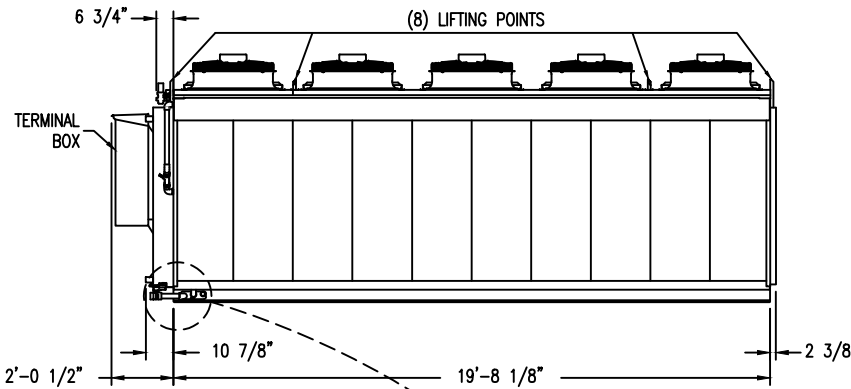
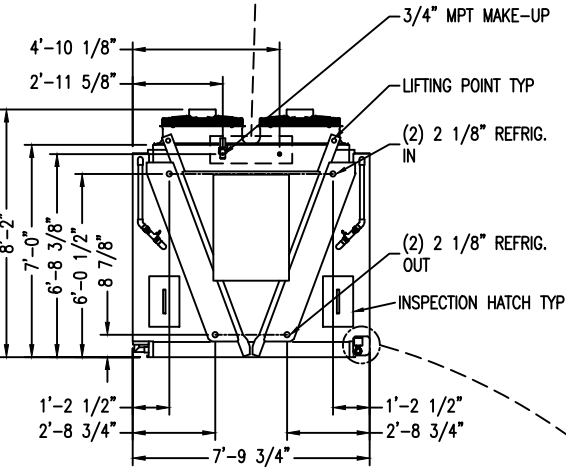
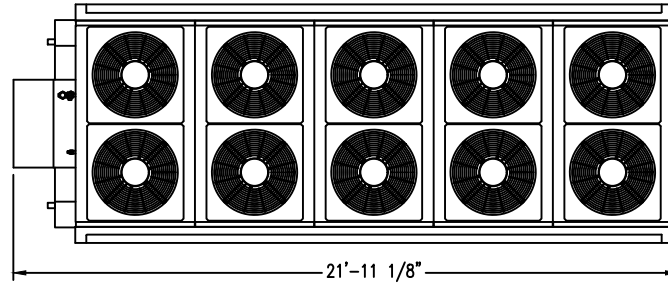
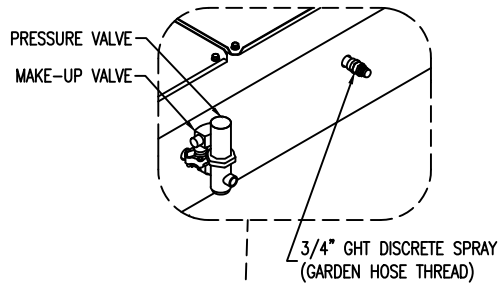


ISOMETRIC DETAIL VIEW



- Notes
- 1) All dimensions are in feet and inches. Weights are in pounds and include options and accessories.
 - 2) Dimensions showing locations of coil & basin connections are approximate and should not be used for prefabrication of connecting piping.
 - 3) For weight loadings and support requirements, refer to the suggested steel support drawing.
 - 4) The area above the fan discharge must not be obstructed.
 - 5) Field piping must not be supported by the unit inlet or outlet connections.

EASY PAD REMOVAL SYSTEM

| Model Number | Shipping Weight | Operating Weight | Heaviest Section |
|--------------------|-----------------|------------------|------------------|
| TSDC2-CO2-509-31.0 | 9372 | 10494 | 9372 |



BALTIMORE AIRCOIL COMPANY

**TrilliumSeries™ Adiabatic Condenser
Ten Fan Unit Print**

DRAWING NUMBER:

ORDER NO:

DATE: