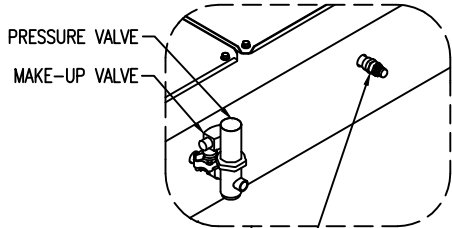
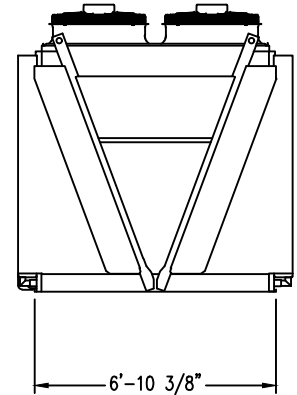
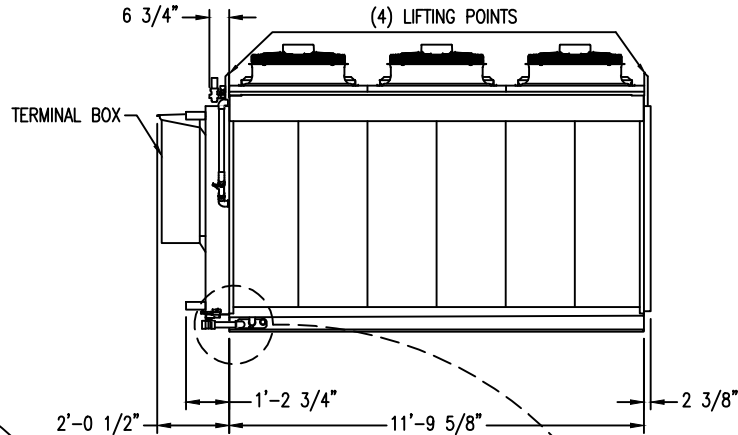
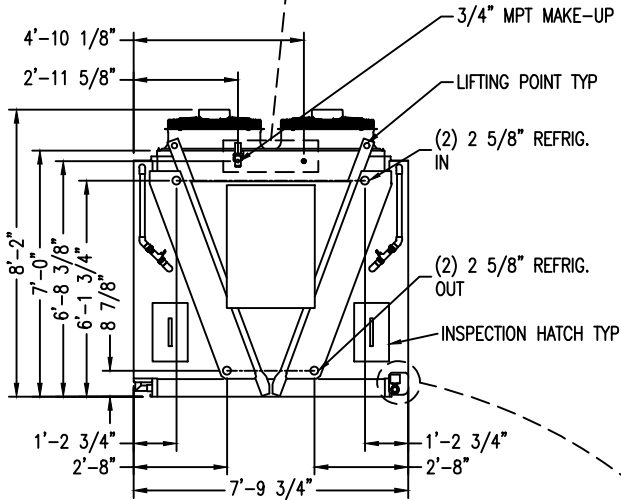
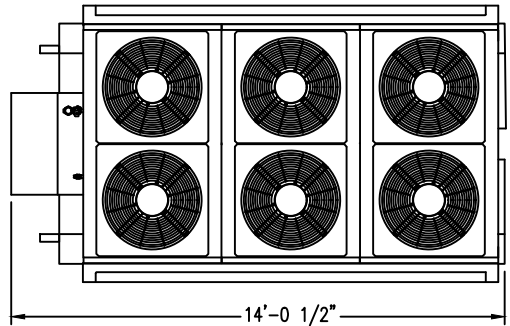


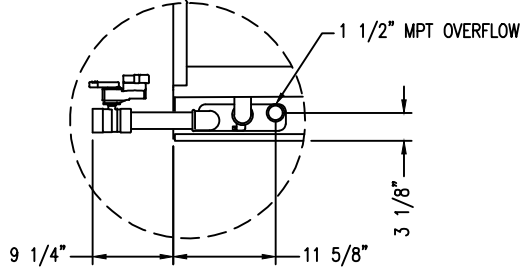
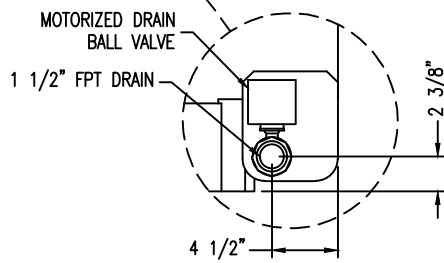
ISOMETRIC DETAIL VIEW



3/4" GHT DISCRETE SPRAY
(GARDEN HOSE THREAD)



- Notes
- 1) All dimensions are in feet and inches. Weights are in pounds and include options and accessories.
 - 2) Dimensions showing locations of coil & basin connections are approximate and should not be used for prefabrication of connecting piping.
 - 3) For weight loadings and support requirements, refer to the suggested steel support drawing.
 - 4) The area above the fan discharge must not be obstructed.
 - 5) Field piping must not be supported by the unit inlet or outlet connections.



Model Number	Shipping Weight	Operating Weight	Heaviest Section
TSDC2-TF-178-18.6	4774	5456	4774

EASY PAD REMOVAL SYSTEM

ORDER NO:

DATE:



BALTIMORE AIRCOIL COMPANY

**TrilliumSeries™ Adiabatic Condenser
Six Fan Unit Print**

DRAWING NUMBER: