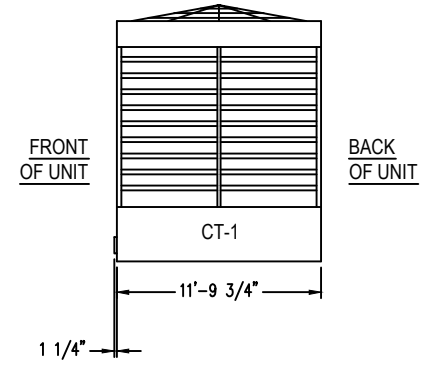


END ELEVATION (FACE A)

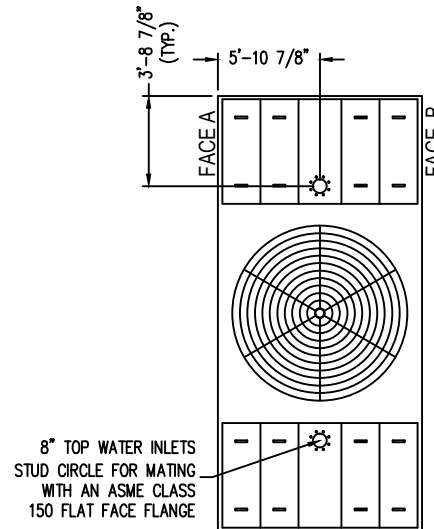


SIDE ELEVATION

Notes

- 1) Drawings are not to scale. All dimensions are in feet and inches. Weights are in pounds and include options and accessories.
- 2) Unless otherwise indicated, connections 3" and smaller are MPT. Connections 4" and larger are grooved to suit a mechanical coupling and beveled for welding.
- 3) Field piping should be fabricated at time of installation. Pre-fabrication of pipe work is not recommended.
- 4) Do not support piping from unit connections. All necessary piping supports to be supplied by others.
- 5) For weight loadings and support requirements, refer to the suggested unit support drawing.
- 6) The area above the fan discharge must be unobstructed.
- 7) Due to height limitations on truck shipments, some items shown may ship loose for field installation.
- 8) Outlet connections are sized for pump suction application at the design flow rate. They are based on the maximum flow rate through the strainer with basin water at standard operating level.

MODEL NUMBER	SHIPPING WEIGHT	OPERATING WEIGHT	HEAVIEST SECTION WEIGHT
XES3E-1222-06H	11,247	23,525	11,247
XES3E-1222-06J	11,277	23,555	11,277
XES3E-1222-06K	11,287	23,565	11,287
XES3E-1222-06L	11,357	23,635	11,357
S3E-1222-06M	11,377	23,655	11,377
S3E-1222-06N	11,517	23,795	11,517
S3E-1222-06O	11,567	23,845	11,567



PLAN VIEW

ORDER NO:

DATE: **7/25/2013**



**BALTIMORE AIRCOIL COMPANY**

**3000E Unit Print  
One Piece Units**

DRAWING NUMBER:  
**UP-1222-06**