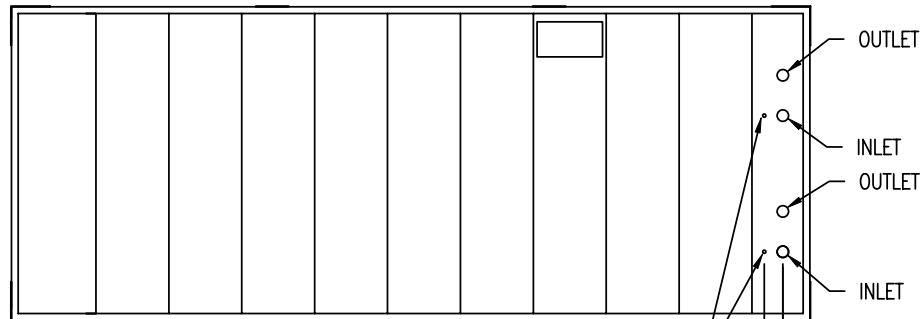


MODEL NO.	APPROX. SHIPPING WEIGHT	APPROX. OPERATING WEIGHT*	LATENT CAPACITY (KW)	TANK VOLUME (LITERS)	COIL VOLUME (LITERS)	IN/OUT SIZE	DIMENSIONS					
							W	L	A	B	C	D
TSU-237M	4420	17730	837	11320	985	50	2400	3240	220	390	600	420
TSU-476M	7590	33530	1680	22110	1875	75	2400	6050	248	390	600	420
TSU-594M	9150	42200	2097	28250	2320	75	2980	6050	248	586	552	704
TSU-761M	10990	51610	2686	34640	2990	75	3600	6050	248	689	600	1022

* OPERATING WEIGHT IS FOR UNIT WITH WATER LEVEL AT OVERFLOW LEVEL

NOTES:

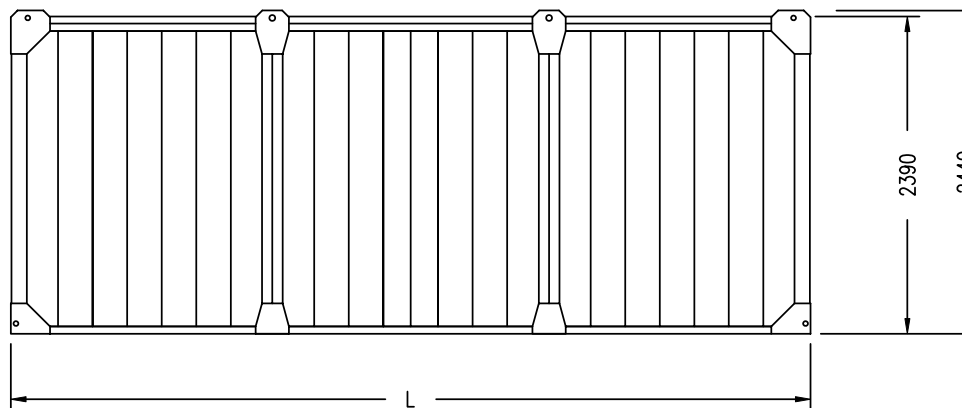
1. ALL DIMENSIONS ARE IN MILLIMETERS. WEIGHTS ARE IN KILOGRAMS.
2. DIMENSIONS LOCATING COIL CONNECTIONS ARE APPROXIMATE AND SUBJECT TO SOME VARIATION. THEY SHOULD NOT BE USED TO PREFABRICATE PIPE.
3. UNIT SHOULD BE CONTINUOUSLY SUPPORTED ON A FLAT LEVEL SURFACE.



PLAN VIEW

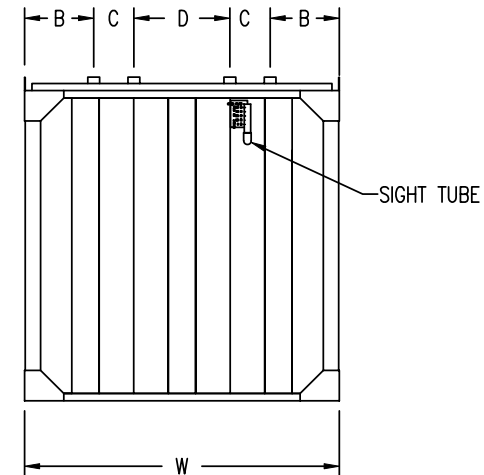
13mm VENT (TSU-237M ONLY)
A
140mm

ALL CONNECTIONS ARE GROOVED TO SUIT A MECHANICAL COUPLING. TO AVOID DAMAGE TO INSULATION AND TANK LINING NO WELDING IS PERMITTED AT THE TANK CONNECTIONS.



SIDE ELEVATION

MODEL TSU-476M SHOWN
OTHER MODELS SIMILAR



END ELEVATION

B.A.C.
ORDER NO:
DATE:



BALTIMORE AIRCOIL
COMPANY

ICE CHILLER®
THERMAL STORAGE UNIT

DRAWING NUMBER:
BAC-10263A

F