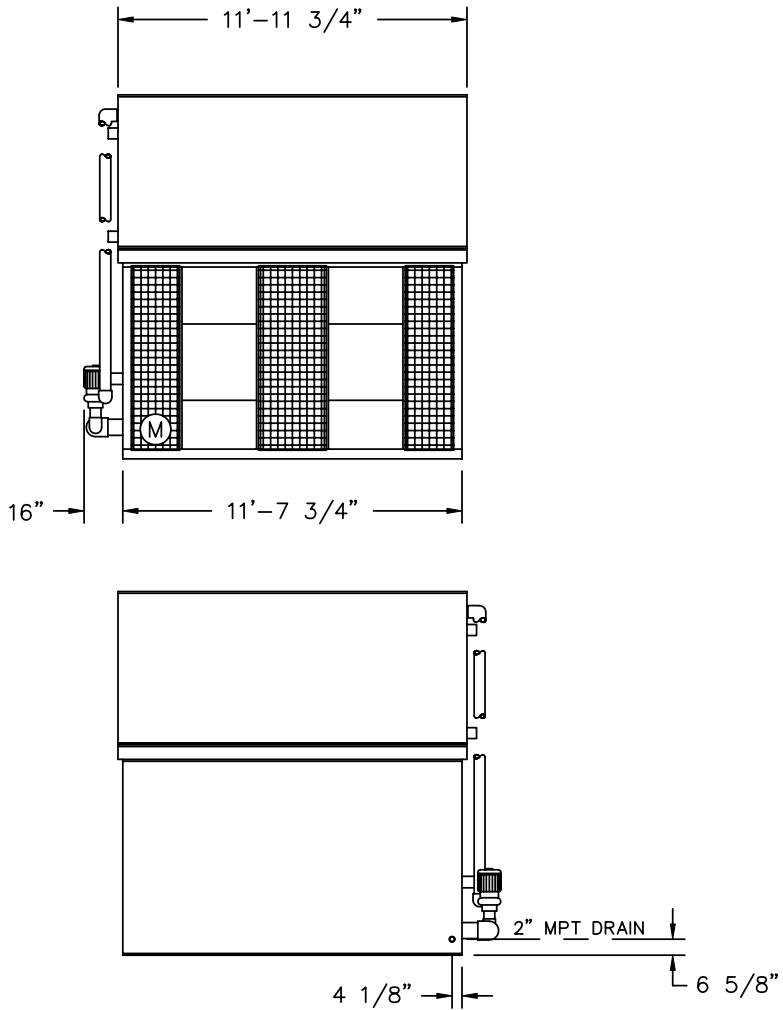
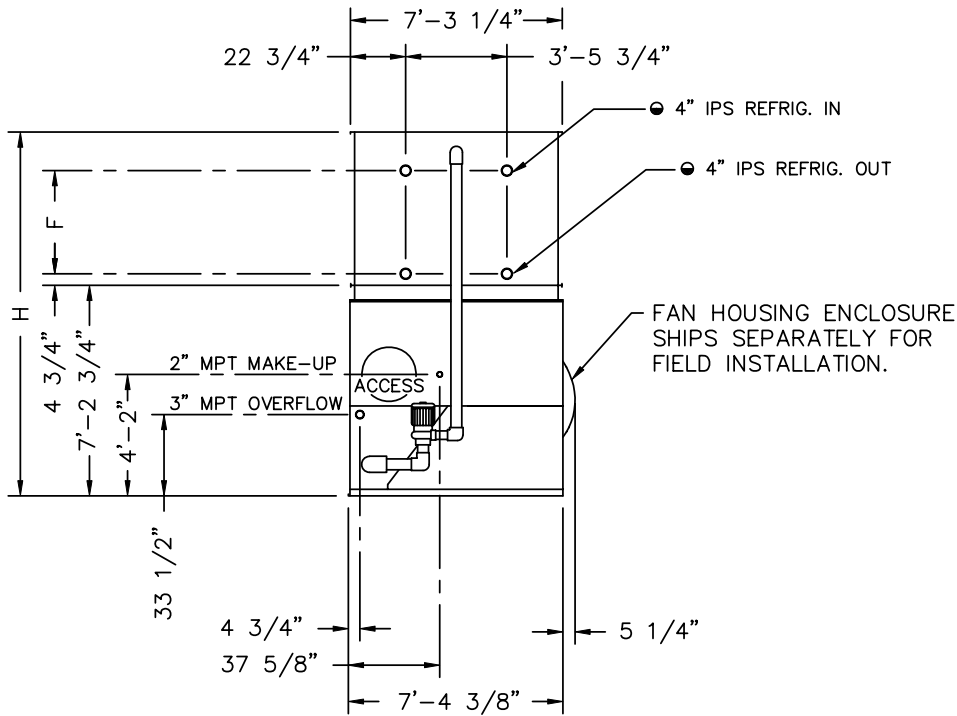


1998© Baltimore Aircoil Company. All Rights Reserved.



● IPS BEVELED FOR WELDING.

(M) FAN MOTOR LOCATION.

MODEL NO.	APPROX. SHIPPING WEIGHT	APPROX. OPERATING WEIGHT	HEAVIEST SECTION (COIL)	F	H
VC1-C216	10270	14880	6680	33 1/4"	11'-10 1/4"
VC1-C231	10280	14890	6680	33 1/4"	11'-10 1/4"
VC1-C242	11560	16300	7970	42 1/2"	12'-7 1/2"
VC1-C260	11570	16310	7970	42 1/2"	12'-7 1/2"
VC1-C274	11620	16360	7970	42 1/2"	12'-7 1/2"
VC1-C286	11640	16380	7970	42 1/2"	12'-7 1/2"
VC1-C299	12920	17720	9250	51 3/4"	13'-4 3/4"
VC1-C320	13110	17910	9250	51 3/4"	13'-4 3/4"

- NOTES:
1. ALL DIMENSIONS ARE IN FEET AND INCHES. WEIGHTS ARE IN POUNDS.
  2. UNLESS OTHERWISE INDICATED, ALL CONNECTIONS 6 INCHES AND SMALLER ARE MPT AND CONNECTIONS 8 INCHES AND LARGER ARE BEVELED FOR WELDING.
  3. DIMENSIONS SHOWING LOCATION OF COIL CONNECTIONS ARE APPROXIMATE AND SHOULD NOT BE USED FOR PREFABRICATION OF CONNECTING PIPING.
  4. FOR SUPPORT REQUIREMENTS, REFER TO THE SUGGESTED STEEL SUPPORT DRAWING.

B.A.C.  
ORDER NO:

DATE:



BALTIMORE AIRCOIL  
COMPANY

EVAPORATIVE CONDENSER  
RH UNIT

DRAWING NUMBER:  
BAC-11304A

A