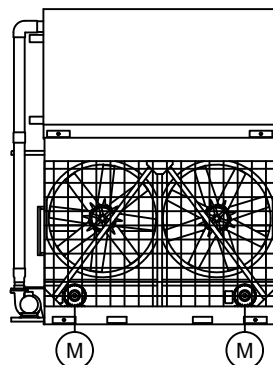
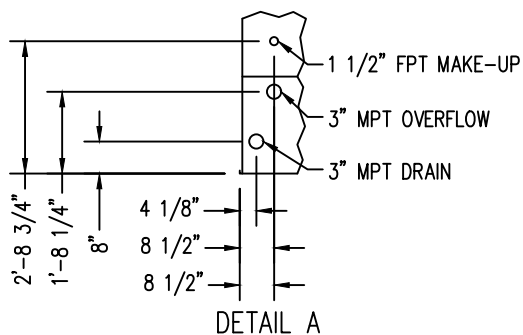
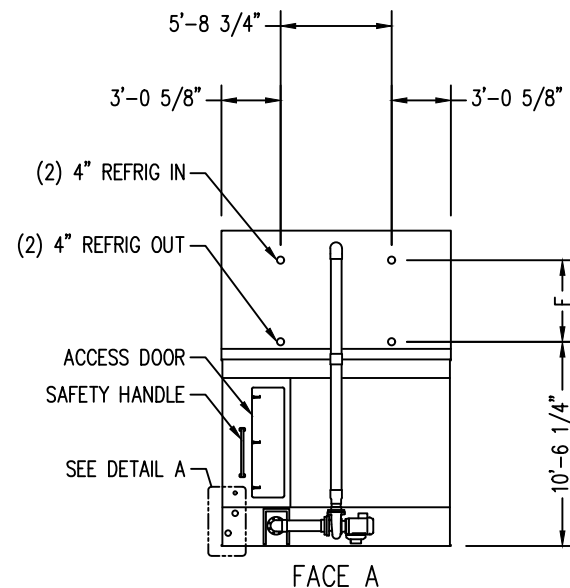
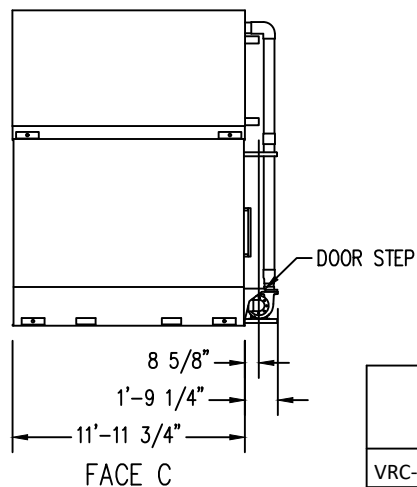
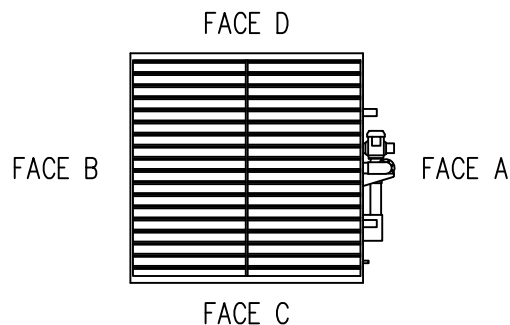
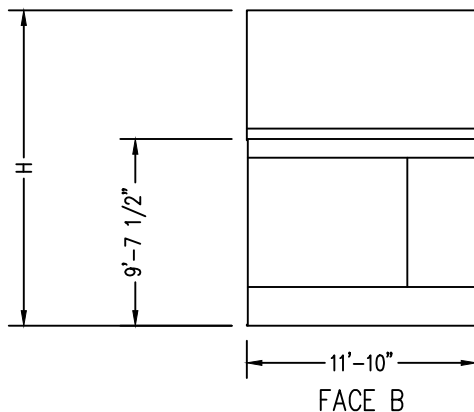


Notes

- 1) Drawings are not to scale.
- 2) Dimensions are in feet and inches. Weights are in pounds and include options and accessories.
- 3) Unless otherwise indicated, connections 3" and smaller are MPT.
- 4) Dimensions showing location of coil & basin connections are approximate and should not be used for prefabrication of connecting piping.
- 5) For weight loadings and support requirements, refer to suggested steel support drawing.
- 6) Area above the air discharge must be unobstructed.
- 7) Field piping must not be supported by the unit inlet or outlet connections.
- 8) For belt drive units, M = Motor location, M1 = Large Motor Location, M2 = Small Motor Location.



MODEL NO.	APPROX. SHIPPING WEIGHT	APPROX. OPERATING WEIGHT	HEAVIEST SECTION (COIL)	F	H
VRC-0214B-1212N-GA	14300	19060	7890	3'-7 1/16"	15'-7 11/16"
VRC-0243B-1212N-HA	14290	19060	7890	3'-7 1/16"	15'-7 11/16"
VRC-0268B-1212N-JA	14420	19190	7890	3'-7 1/16"	15'-7 11/16"
VRC-0287B-1212N-KA	14470	19230	7890	3'-7 1/16"	15'-7 11/16"
VRC-0271B-1212N-HA	15410	20290	9010	3'-7 1/16"	15'-7 11/16"
VRC-0298B-1212N-JA	15540	20410	9010	3'-7 1/16"	15'-7 11/16"
VRC-0320B-1212N-KA	15590	20460	9010	3'-7 1/16"	15'-7 11/16"
VRC-0349B-1212N-KA	17900	22880	11320	4'-10 1/16"	16'-10 11/16"
VRC-0384B-1212N-LA	18220	23210	11320	4'-10 1/16"	16'-10 11/16"
VRC-0412B-1212N-MA	18350	23330	11320	4'-10 1/16"	16'-10 11/16"
VRC-0381B-1212N-KA	18880	23960	12300	4'-10 1/16"	16'-10 11/16"
VRC-0415B-1212N-LA	19200	24280	12300	4'-10 1/16"	16'-10 11/16"
VRC-0445B-1212N-MA	19330	24410	12300	4'-10 1/16"	16'-10 11/16"
VRC-0469B-1212N-NA	19410	24490	12300	4'-10 1/16"	16'-10 11/16"

Right Hand Unit

ORDER NO:

DATE:



**BALTIMORE AIRCOIL COMPANY**

**Vertex™ Evaporative Condenser  
Single Cell Unit Print**

DRAWING NUMBER: