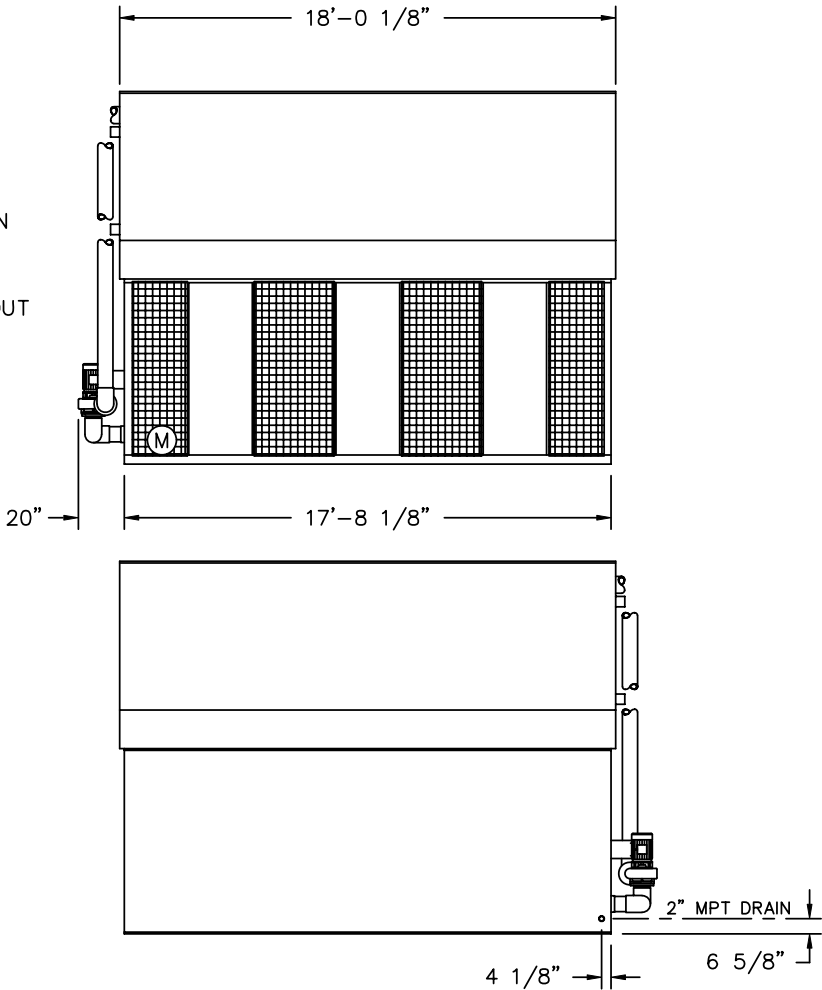
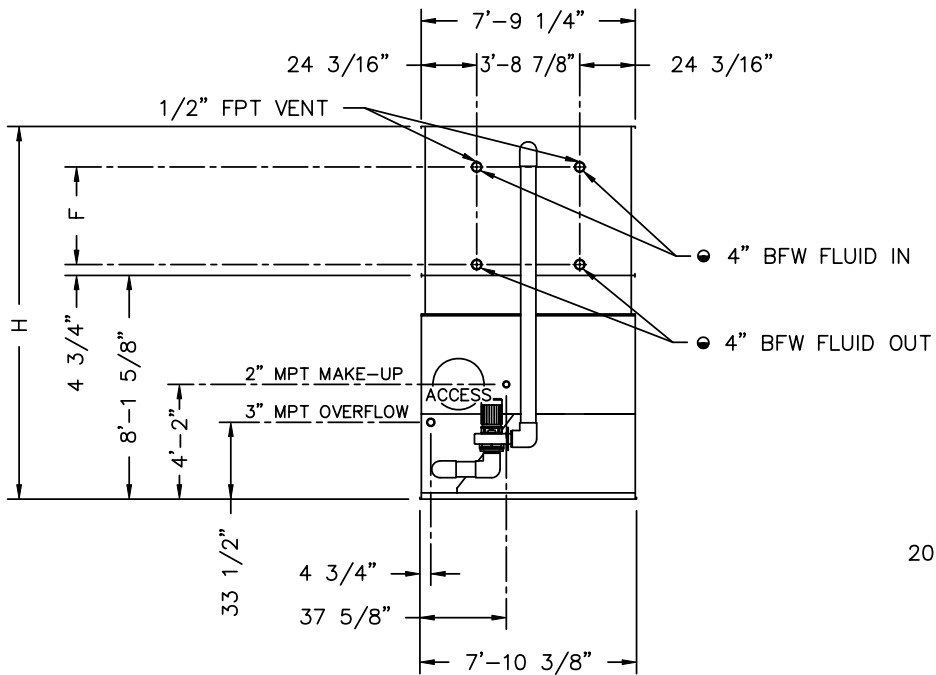


2000© Baltimore Aircoil Company. All Rights Reserved.



- BFW BEVELED FOR WELDING.
- Ⓜ FAN MOTOR LOCATION.

MODEL NO.	APPROX. SHIPPING WEIGHT	APPROX. OPERATING WEIGHT	HEAVIEST SECTION (COIL)	F	H
VF1-144N-21	16430	25610	10390	33 1/4"	12'-9 1/8"
VF1-144N-31	18490	28480	12570	42 1/2"	13'-6 3/8"
VF1-144N-41	20750	31560	14750	51 3/4"	14'-3 5/8"

- NOTES:
- ALL DIMENSIONS ARE IN FEET AND INCHES. WEIGHTS ARE IN POUNDS.
 - UNLESS OTHERWISE INDICATED, ALL CONNECTIONS 6 INCHES AND SMALLER ARE MPT AND CONNECTIONS 8 INCHES AND LARGER ARE BEVELED FOR WELDING.
 - DIMENSIONS SHOWING LOCATION OF COIL CONNECTIONS ARE APPROXIMATE AND SHOULD NOT BE USED FOR PREFABRICATION OF CONNECTING PIPING.
 - FOR SUPPORT REQUIREMENTS, REFER TO THE SUGGESTED STEEL SUPPORT DRAWING.

B.A.C.
ORDER NO:
DATE:



RIGHT HAND UNIT
END OUTLET WITH PUMP
DRAWING NUMBER:
BAC-11550A