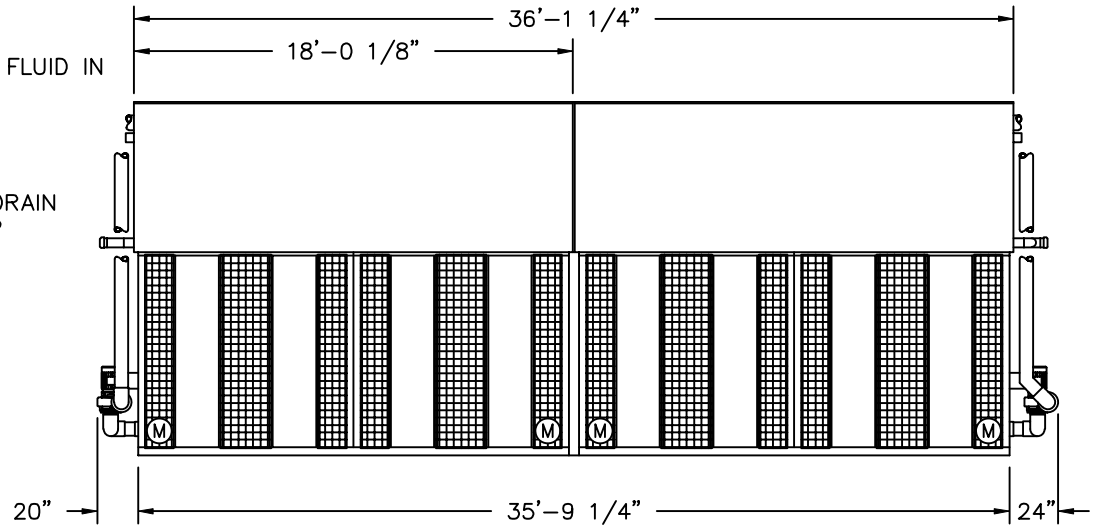
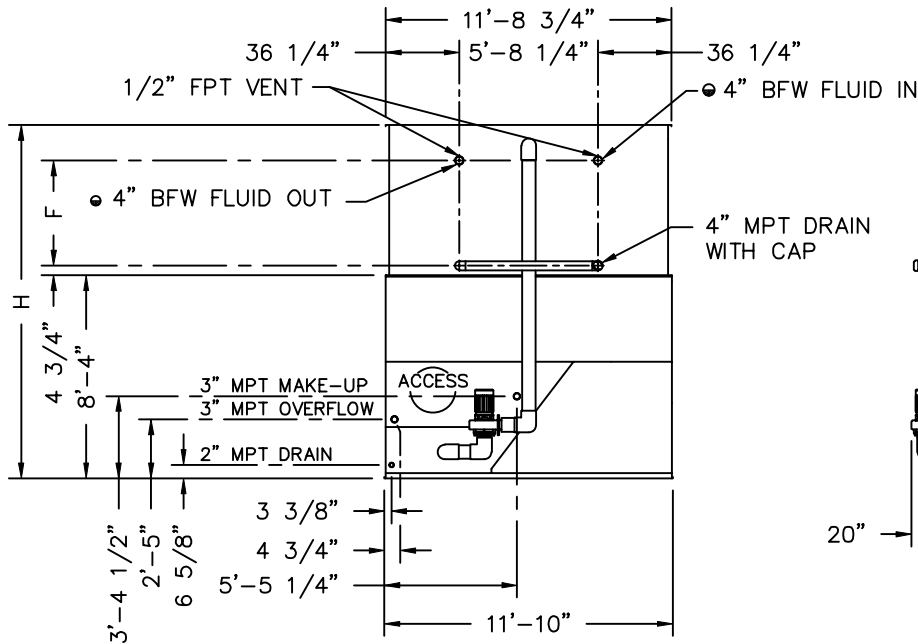


2000© Baltimore Aircoil Company. All Rights Reserved.



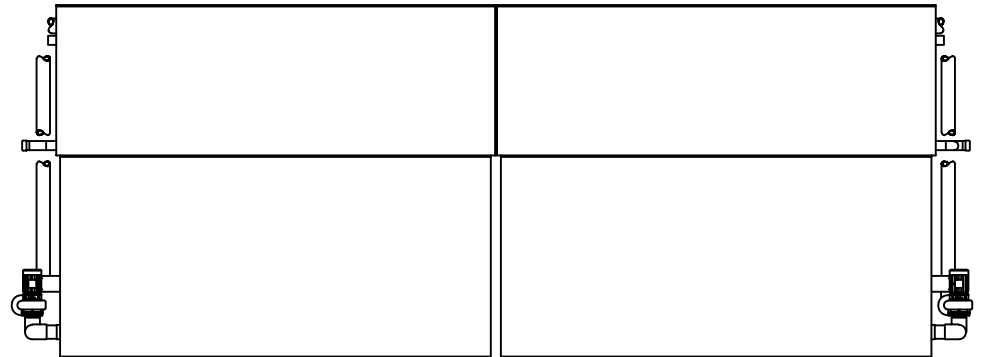
● BFW BEVELED FOR WELDING.

Ⓜ FAN MOTOR LOCATION.

MODEL NO.	APPROX. SHIPPING WEIGHT	APPROX. OPERATING WEIGHT	HEAVIEST SECTION (PAN)	F	H
VF1-432-22	45960	79600	18000	33 1/4"	12'-11 1/2"

NOTES:

1. ALL DIMENSIONS ARE IN FEET AND INCHES. WEIGHTS ARE IN POUNDS.
2. UNLESS OTHERWISE INDICATED, ALL CONNECTIONS 6 INCHES AND SMALLER ARE MPT AND CONNECTIONS 8 INCHES AND LARGER ARE BEVELED FOR WELDING.
3. DIMENSIONS SHOWING LOCATION OF COIL CONNECTIONS ARE APPROXIMATE AND SHOULD NOT BE USED FOR PREFABRICATION OF CONNECTING PIPING.
4. SPRAY WATER, OVERFLOW AND COIL CONNECTIONS ARE PROVIDED ON BOTH ENDS OF THE UNIT. ONLY ONE MAKE-UP CONNECTION IS FURNISHED, ON THE END INDICATED.
5. FOR SUPPORT REQUIREMENTS, REFER TO THE SUGGESTED STEEL SUPPORT DRAWING.



B.A.C.  
ORDER NO:  
  
DATE:



BALTIMORE AIRCOIL  
COMPANY

RIGHT HAND UNIT  
END OUTLET WITH PUMP  
DRAWING NUMBER:  
BAC-11741A