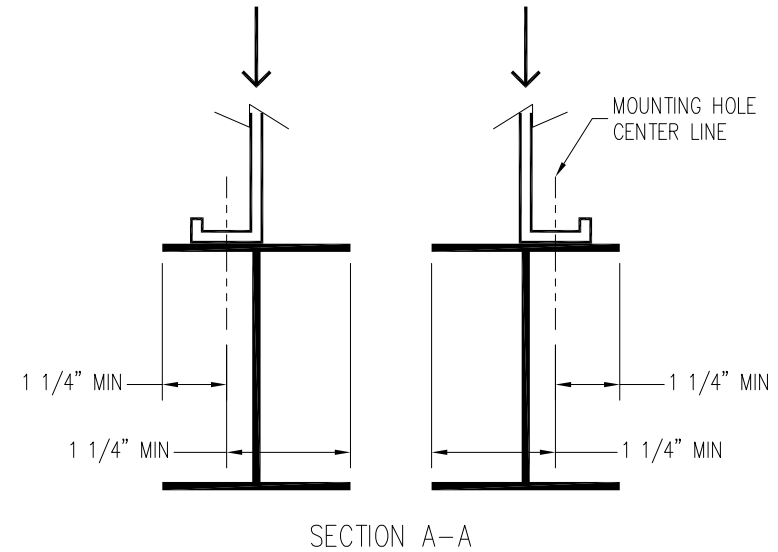


Notes

- 1) Drawings are not to scale.
- 2) All dimensions are in feet and inches. Weights are in pounds and include options and accessories.
- 3) Operating weight and weight loading are for units with water level in cold water basin at overflow.
- 4) Unit support beams and anchor bolts to be designed and furnished by others. Minimum dimensions shown in Section A-A are provided only to ensure proper support of unit.
- 5) Support beams must be flush and level at top.
- 6) Support beams are not limited to an I-beam shape.
- 7) Each beam should be designed, as a minimum, for 65% of the total unit operating weight applied as a uniformly distributed load.
- 8) If vibration isolators are used, they should be installed under the support beams and should never have direct contact with the unit.



MODEL NUMBER	APPROX. SHIPPING WEIGHT	APPROX. OPERATING WEIGHT
VRC-0399B-1018N-HB	16,400	22,780
VRC-0441B-1018N-JB	16,400	22,780
VRC-0435B-1018N-HB	17,740	24,260
VRC-0481B-1018N-JB	17,740	24,260
VRC-0476B-1018N-HB	20,090	26,740
VRC-0526B-1018N-JB	20,090	26,740
VRC-0511B-1018N-HB	21,240	28,000
VRC-0565B-1018N-JB	21,240	28,000

ORDER NO: \_\_\_\_\_

DATE: \_\_\_\_\_



**BALTIMORE AIRCOIL COMPANY**

**Vertex™ Evaporative Condenser  
Single Cell Unit Support**

DRAWING NUMBER: \_\_\_\_\_