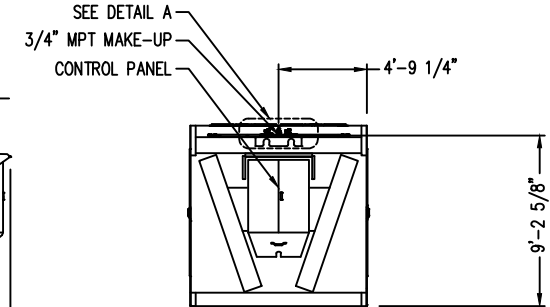
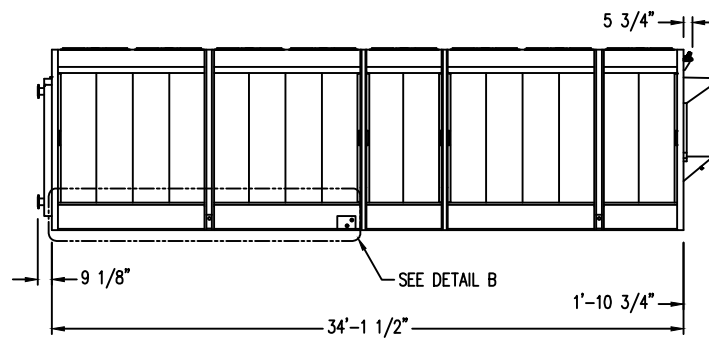
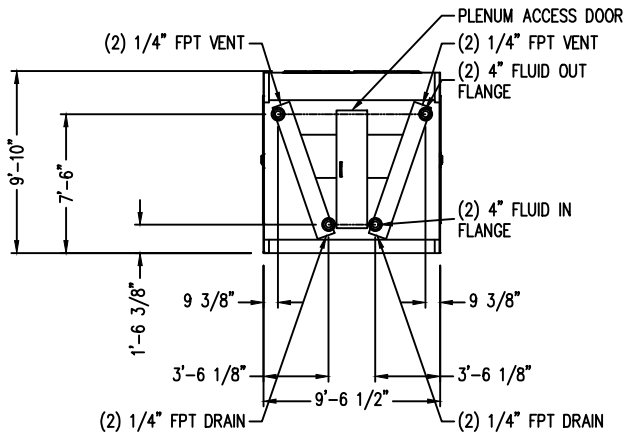
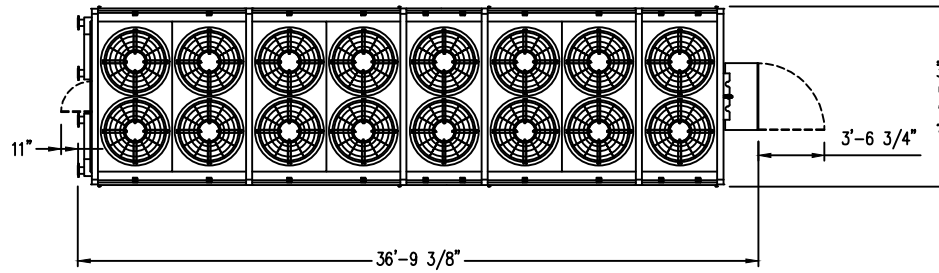
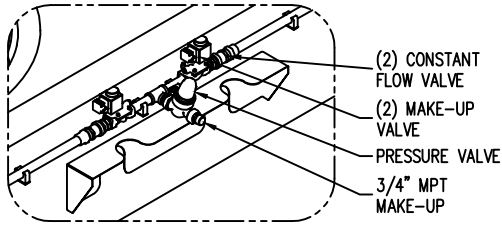
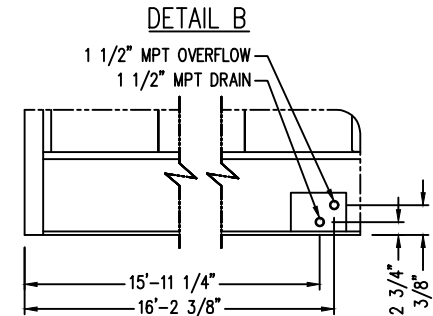
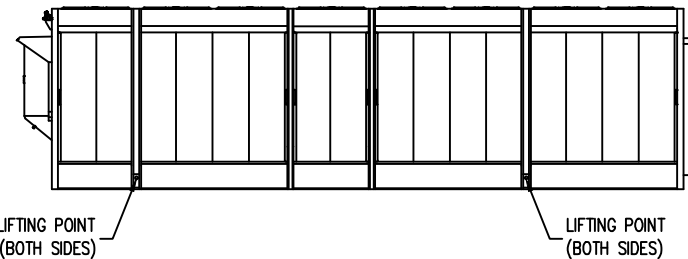


DETAIL A  
(ISOMETRIC)



Notes

- 1) All dimensions are in feet and inches. Weights are in pounds and include options and accessories.
- 2) Dimensions showing locations of coil & basin connections are approximate and should not be used for prefabrication of connecting piping.
- 3) For weight loadings and support requirements, refer to the suggested steel support drawing.
- 4) The area above the fan discharge must not be obstructed.
- 5) Field piping must not be supported by the unit inlet or outlet connections.



Model Number	Shipping Weight	Operating Weight	Heaviest Section
TRF-1034N-C60F*68E	19335	23226	19335
TRF-1034N-C80F*68E	17394	20503	17394

QUOTE NO:

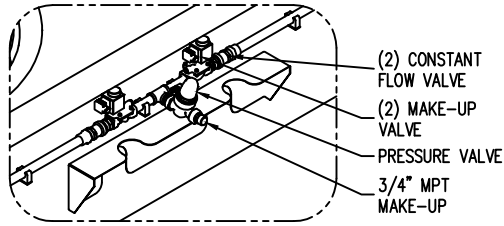
DATE: **7/9/2024 11:29:55 AM Revision=0**



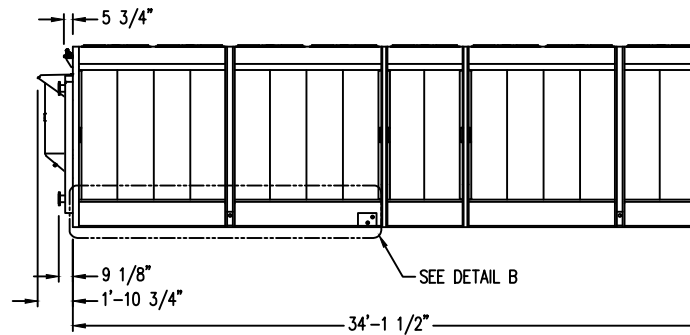
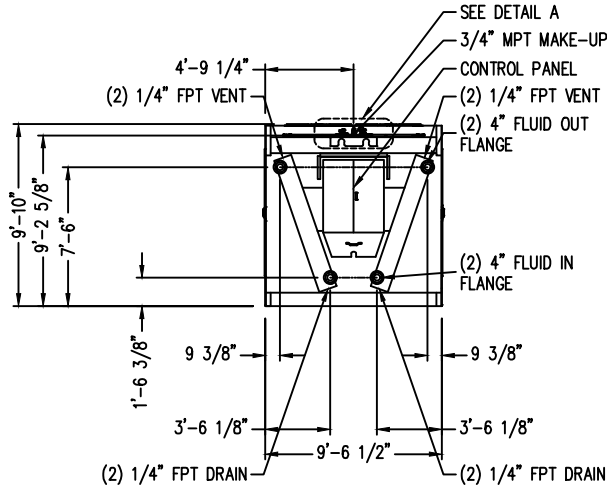
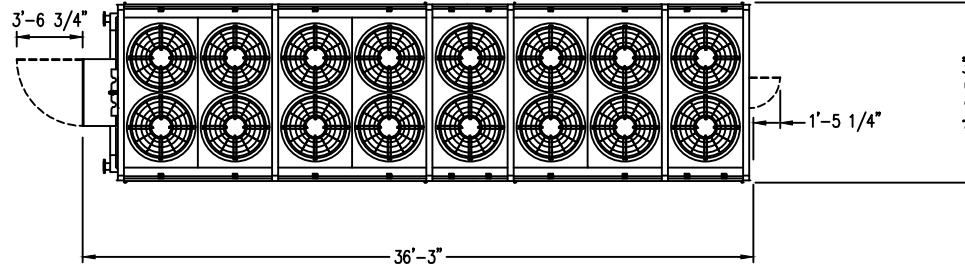
**TrilliumSeries™ Adiabatic Cooler**  
**Sixteen Fan Unit Print**

DRAWING NUMBER:

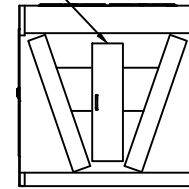
**DETAIL A**  
(ISOMETRIC)



**PLAN VIEW**

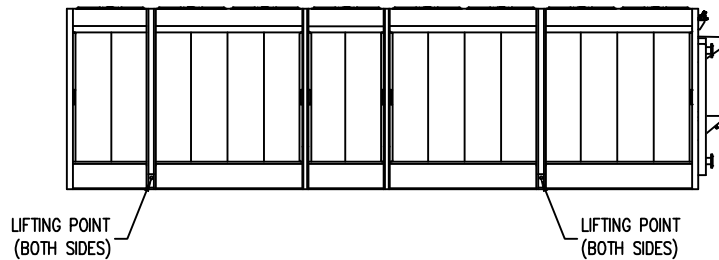


PLENUM ACCESS DOOR

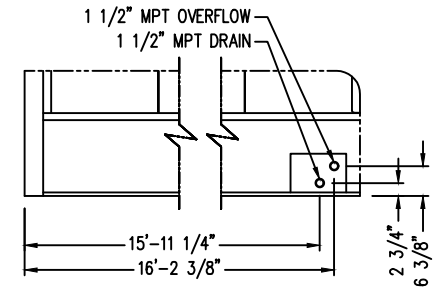


**Notes**

- 1) All dimensions are in feet and inches. Weights are in pounds and include options and accessories.
- 2) Dimensions showing locations of coil & basin connections are approximate and should not be used for prefabrication of connecting piping.
- 3) For weight loadings and support requirements, refer to the suggested steel support drawing.
- 4) The area above the fan discharge must not be obstructed.
- 5) Field piping must not be supported by the unit inlet or outlet connections.



**DETAIL B**



Model Number	Shipping Weight	Operating Weight	Heaviest Section
TRF-1034N-C60F*68E	19335	23226	19335
TRF-1034N-C80F*68E	17394	20503	17394

QUOTE NO:

DATE: **7/9/2024 11:42:08 AM Revision=0**



**TrilliumSeries™ Adiabatic Cooler**  
**Sixteen Fan Unit Print**

DRAWING NUMBER: