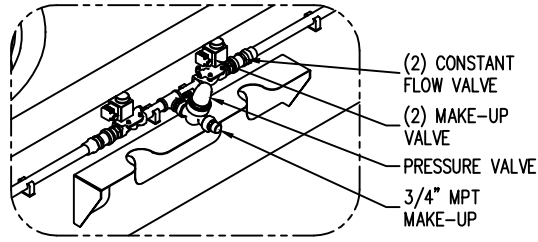
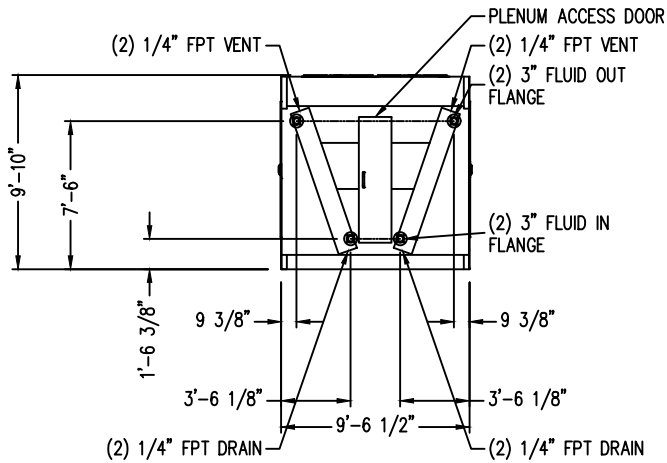
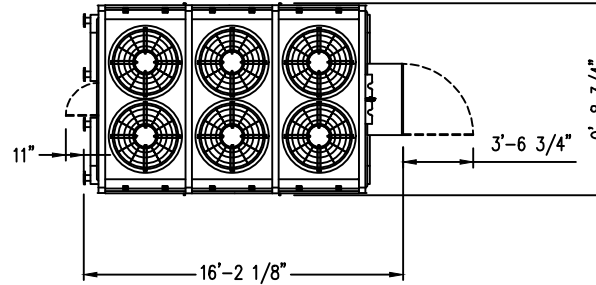


DETAIL A
(ISOMETRIC)

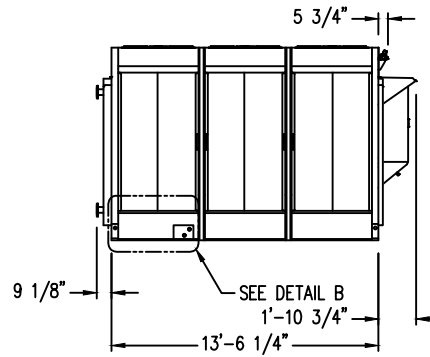


- (2) CONSTANT FLOW VALVE
- (2) MAKE-UP VALVE
- PRESSURE VALVE
- 3/4" MPT MAKE-UP

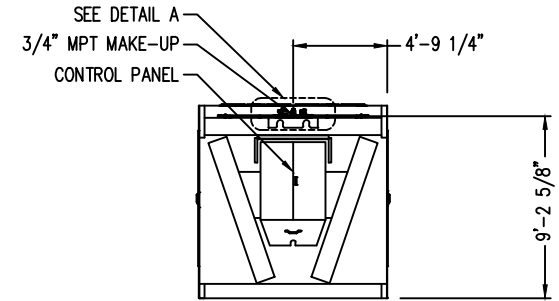
PLAN VIEW



- (2) 1/4" FPT VENT
- PLENUM ACCESS DOOR
- (2) 1/4" FPT VENT
- (2) 3" FLUID OUT FLANGE
- (2) 3" FLUID IN FLANGE
- (2) 1/4" FPT DRAIN
- (2) 1/4" FPT DRAIN



SEE DETAIL B
1'-10 3/4"



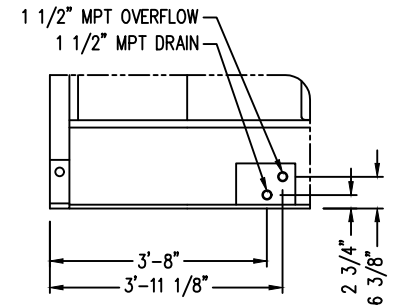
- SEE DETAIL A
- 3/4" MPT MAKE-UP
- CONTROL PANEL

Notes

- 1) All dimensions are in feet and inches. Weights are in pounds and include options and accessories.
- 2) Dimensions showing locations of coil & basin connections are approximate and should not be used for prefabrication of connecting piping.
- 3) For weight loadings and support requirements, refer to the suggested steel support drawing.
- 4) The area above the fan discharge must not be obstructed.
- 5) Field piping must not be supported by the unit inlet or outlet connections.

Model Number	Shipping Weight	Operating Weight	Heaviest Section
TRF-1014N-C60F*26E	9083	10615	9083
TRF-1014N-C80F*26E	9789	11618	9789

DETAIL B



LIFTING POINT
(BOTH SIDES)

LIFTING POINT
(BOTH SIDES)

QUOTE NO:

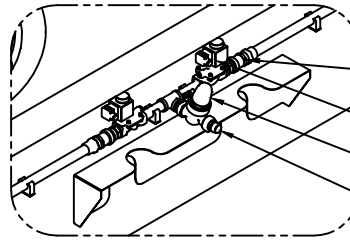
DATE: **7/9/2024 10:07:42 AM Revision=0**



TrilliumSeries™ Adiabatic Cooler
Six Fan Unit Print

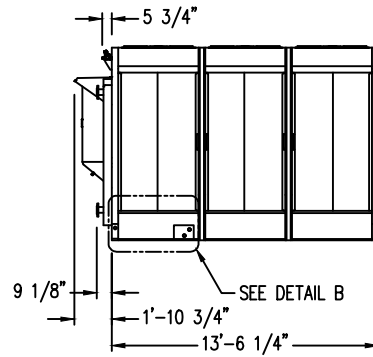
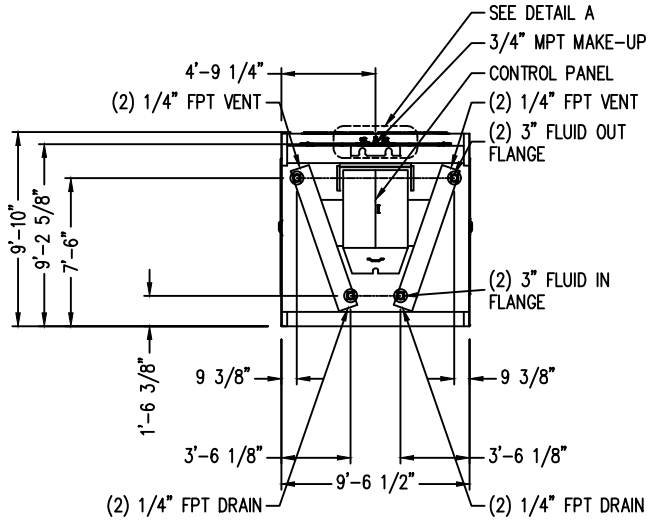
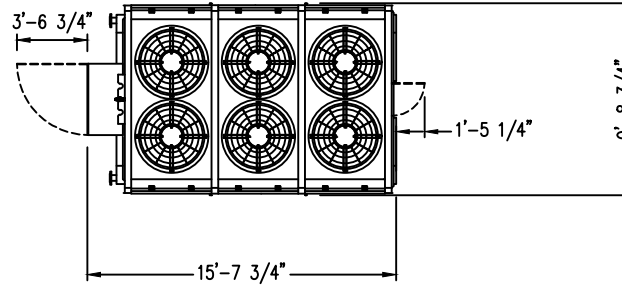
DRAWING NUMBER:

DETAIL A
(ISOMETRIC)

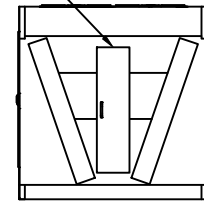


- (2) CONSTANT FLOW VALVE
- (2) MAKE-UP VALVE
- PRESSURE VALVE
- 3/4" MPT MAKE-UP

PLAN VIEW

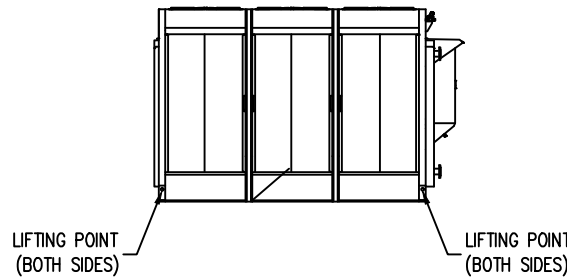


PLENUM ACCESS DOOR

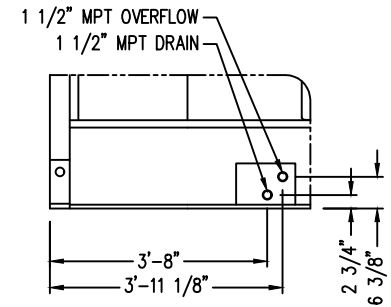


Notes

- 1) All dimensions are in feet and inches. Weights are in pounds and include options and accessories.
- 2) Dimensions showing locations of coil & basin connections are approximate and should not be used for prefabrication of connecting piping.
- 3) For weight loadings and support requirements, refer to the suggested steel support drawing.
- 4) The area above the fan discharge must not be obstructed.
- 5) Field piping must not be supported by the unit inlet or outlet connections.



DETAIL B



Model Number	Shipping Weight	Operating Weight	Heaviest Section
TRF-1014N-C60F*26E	9083	10615	9083
TRF-1014N-C80F*26E	9789	11618	9789

QUOTE NO:

DATE: **7/10/2024 11:51:33 AM Revision=0**



TrilliumSeries™ Adiabatic Cooler
Six Fan Unit Print

DRAWING NUMBER: