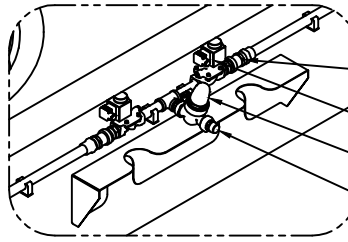
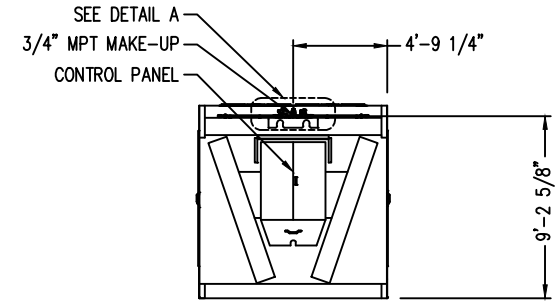
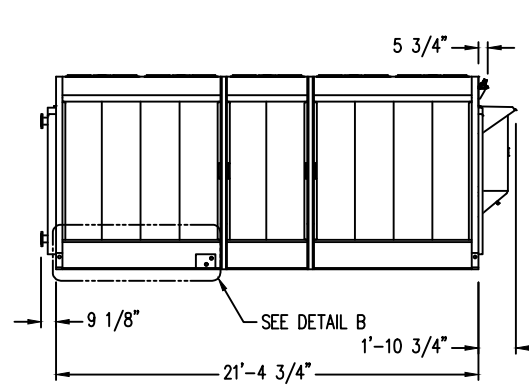
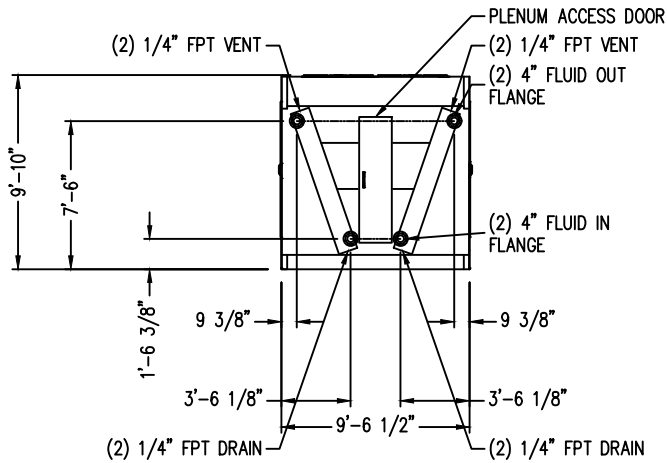
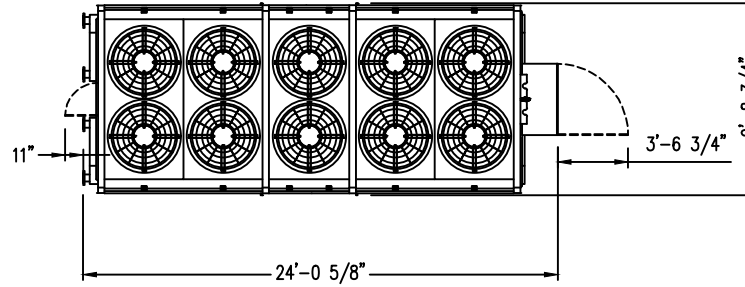


**DETAIL A**  
(ISOMETRIC)



- (2) CONSTANT FLOW VALVE
- (2) MAKE-UP VALVE
- PRESSURE VALVE
- 3/4" MPT MAKE-UP

**PLAN VIEW**

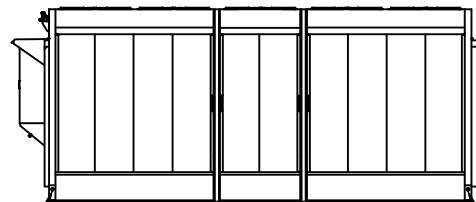


**Notes**

- 1) All dimensions are in feet and inches. Weights are in pounds and include options and accessories.
- 2) Dimensions showing locations of coil & basin connections are approximate and should not be used for prefabrication of connecting piping.
- 3) For weight loadings and support requirements, refer to the suggested steel support drawing.
- 4) The area above the fan discharge must not be obstructed.
- 5) Field piping must not be supported by the unit inlet or outlet connections.

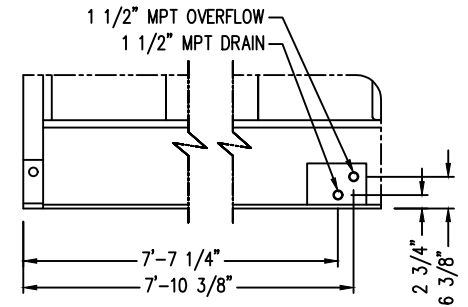
Model Number	Shipping Weight	Operating Weight	Heaviest Section
TRF-1022N-C60F*43E	12544	15036	12544
TRF-1022N-C80F*43E	13691	16645	13691

LIFTING POINT  
(BOTH SIDES)



LIFTING POINT  
(BOTH SIDES)

**DETAIL B**



QUOTE NO:

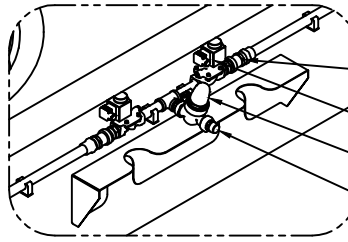
DATE: **7/9/2024 10:37:51 AM Revision=0**



**TrilliumSeries™ Adiabatic Cooler**  
**Ten Fan Unit Print**

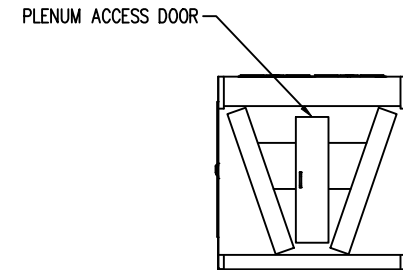
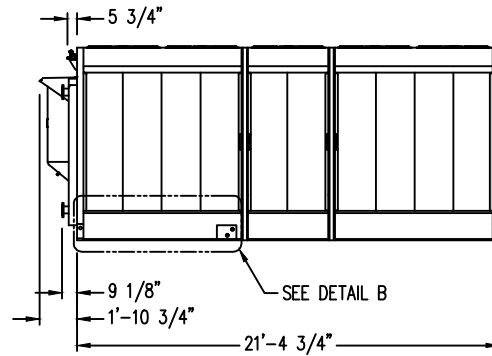
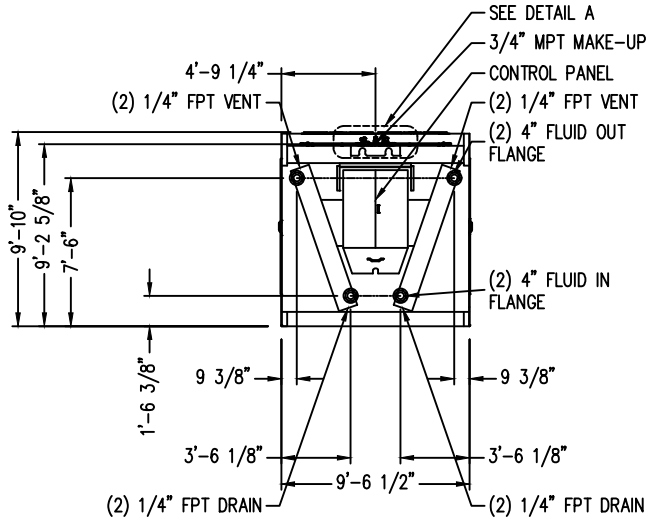
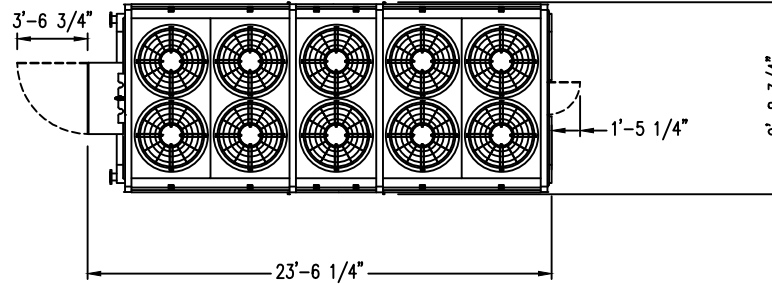
DRAWING NUMBER:

**DETAIL A**  
(ISOMETRIC)



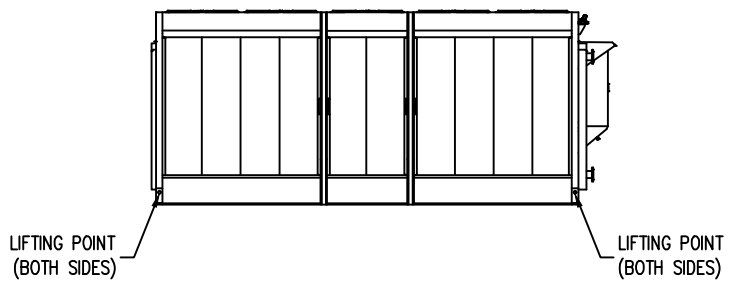
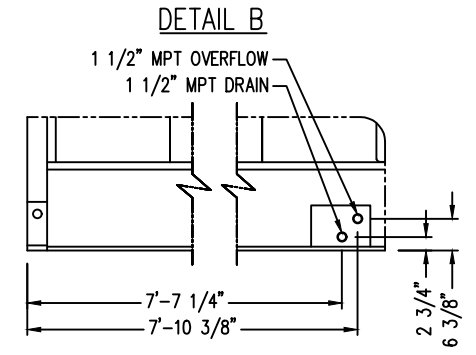
- (2) CONSTANT FLOW VALVE
- (2) MAKE-UP VALVE
- PRESSURE VALVE
- 3/4" MPT MAKE-UP

**PLAN VIEW**



- Notes**
- 1) All dimensions are in feet and inches. Weights are in pounds and include options and accessories.
  - 2) Dimensions showing locations of coil & basin connections are approximate and should not be used for prefabrication of connecting piping.
  - 3) For weight loadings and support requirements, refer to the suggested steel support drawing.
  - 4) The area above the fan discharge must not be obstructed.
  - 5) Field piping must not be supported by the unit inlet or outlet connections.

Model Number	Shipping Weight	Operating Weight	Heaviest Section
TRF-1022N-C60F*43E	12544	15036	12544
TRF-1022N-C80F*43E	13691	16645	13691



**TrilliumSeries™ Adiabatic Cooler**  
**Ten Fan Unit Print**

QUOTE NO:  
DATE: **7/9/2024 11:09:27 AM Revision=0**

DRAWING NUMBER: