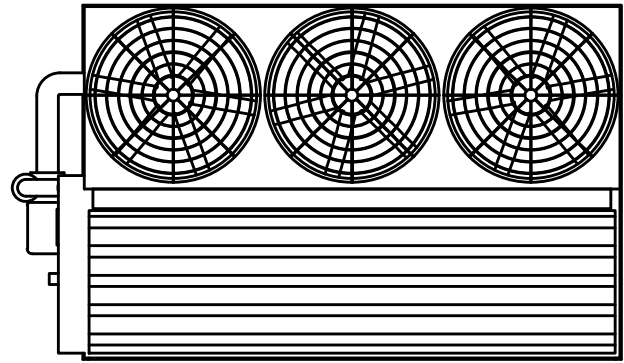


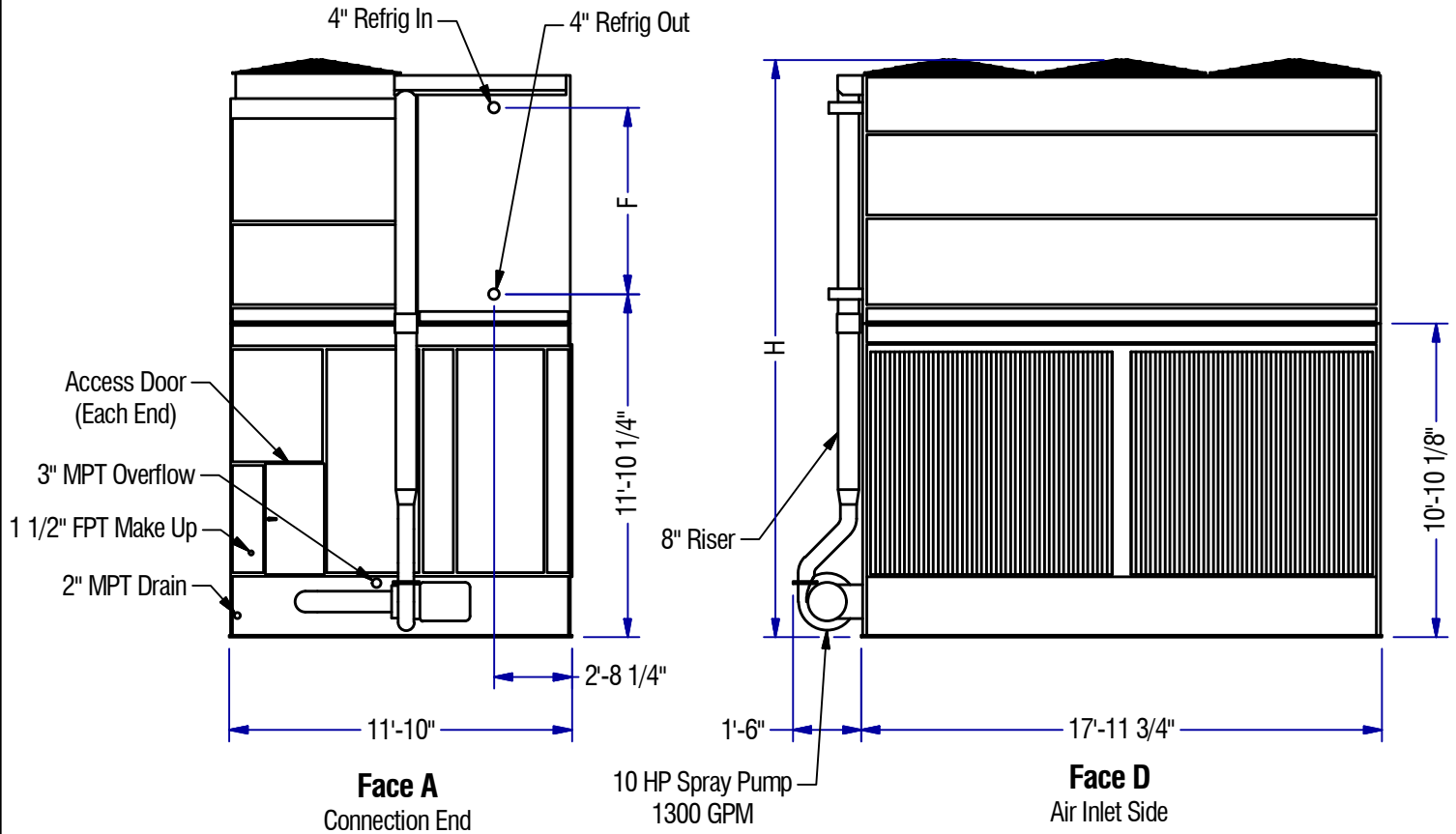
**NOTES:**

1. **Do not use for construction.** Refer to factory certified dimensions.
2. Model number denotes R-717 capacity in evaporator tons at 96.3°F condensing temperature, 20°F suction temperature, and 78°F entering wet bulb temperature.
3. All dimensions are in feet and inches. Weights are in pounds. Volumes are in cubic feet.
4. Operating weight is for the base unit charged with R-717, water level in the cold water basin at overflow, and does not include accessories.
5. The actual size, quantity and location of the coil inlet and outlet connections will vary depending on the refrigerant used and capacity requirements.
6. The coil inlet and outlet connections are NPS beveled for welding as standard.
7. Models with Whisper Quiet fans may have heights up to 5 1/2" greater than shown.



**Plan View**

Do Not Obstruct Area Above Fans



**Tabulated Unit Data**

Model Number	Fan HP	Operating Wt	Shipping Wt	Heaviest Section	F	H	Coil Volume (FT <sup>3</sup> )
CXVB-360-1218-15	15	27,690	15,940	8,990	3'-6 1/2"	17'-0 3/4"	29
CXVB-403-1218-15	15	31,050	19,130	12,020	3'-6 1/2"	17'-0 3/4"	49
CXVB-437-1218-22.5	22.5	31,170	19,250	12,130	3'-6 1/2"	17'-0 3/4"	49
CXVB-444-1218-15	15	33,290	21,280	14,070	6'-5 1/4"	19'-11 3/8"	58
CXVB-459-1218-15	15	36,660	24,470	17,110	6'-5 1/4"	19'-11 3/8"	78
CXVB-467-1218-15	15	38,240	25,960	18,530	6'-5 1/4"	19'-11 3/8"	87
CXVB-482-1218-22.5	22.5	33,470	21,460	14,240	6'-5 1/4"	19'-11 3/8"	58

CXVB Evaporative Condenser  
Tabulated Unit Print

**BALTIMORE AIRCOIL COMPANY**

Drawing Number:  
**CXVB-1218C-4-TUP**

Rev:  
-