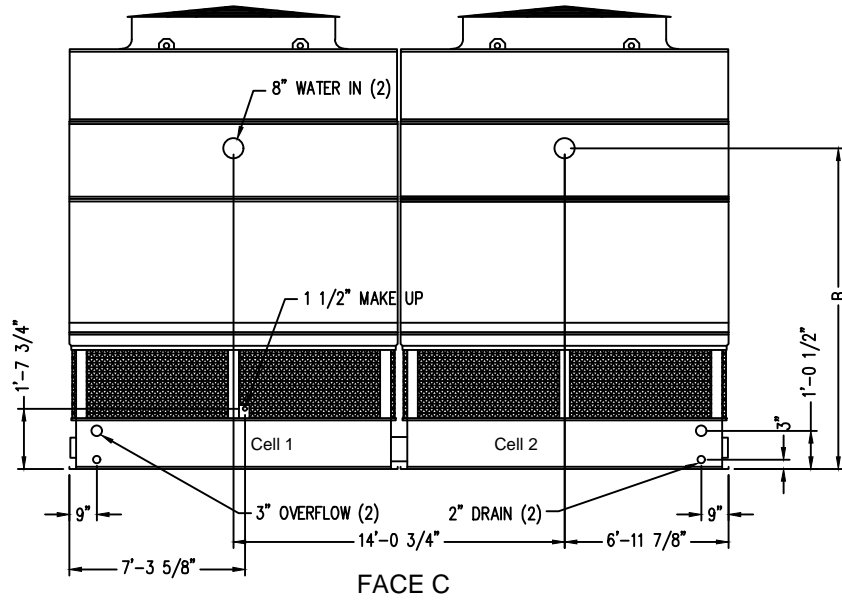
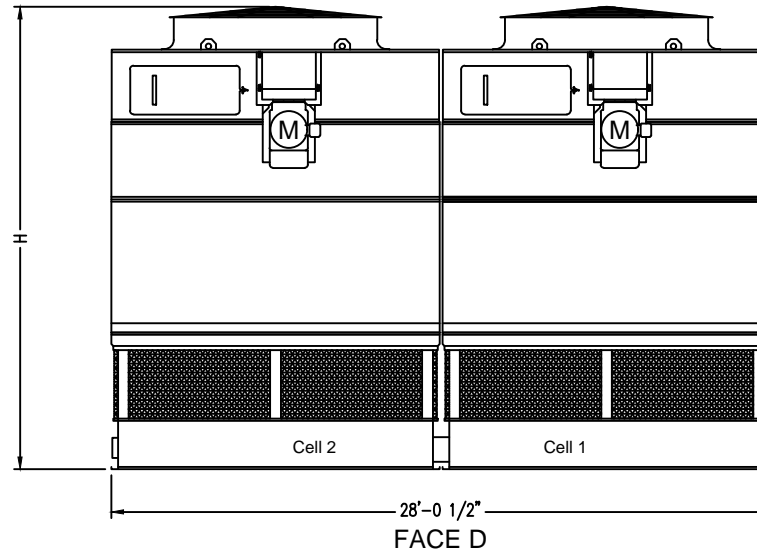


**FACE A**  
(CONNECTIONS TYPICAL EACH END)



- Notes
- 1) Unless otherwise indicated, connections 3" and smaller are NPT. Connections 4" and larger are grooved to suit a mechanical coupling and beveled for welding.
  - 2) All dimensions are in feet and inches. Weights are in pounds and include options and accessories.
  - 3) For weight loadings and support requirements, refer to the suggested steel support drawing.
  - 4) The area above the fan discharge must be unobstructed.
  - 5) Piping must not be supported by the tower inlet or outlet connections.
  - 6) Unit weights include selected accessories.
  - 7) M = Motor location.
  - 8) External motor assembly ships loose for field installation.

Model Number	Shipping Weight	Operating Weight	Heaviest Section	"H"	"B"	"D"	"L"
PT2-0814A-1x2	9780	19330	3460	12'-8"	8'-3 1/4"	6'-11 3/4"	5'-1 3/8"
PT2-0814A-2x2	10690	20240	3920	13'-8"	9'-3 1/4"	7'-11 3/4"	5'-1 3/8"
PT2-0814A-3x2	11500	21060	4320	14'-8"	10'-3 1/4"	8'-11 3/4"	5'-1 3/8"
PT2-0814A-4x2	11970	22090	4320	16'-5"	12'-0 1/4"	8'-11 3/4"	6'-10 3/8"
PT2-0814A-5x2	12630	22760	4650	17'-5"	13'-0 1/4"	9'-11 3/4"	6'-10 3/8"

ORDER NO:

DATE:



**BALTIMORE AIRCOIL COMPANY**

**PT2 Two Cell Unit Print  
External Belt Drive**

DRAWING NUMBER:  
**GEN-PT2-0814A 2-CELL**