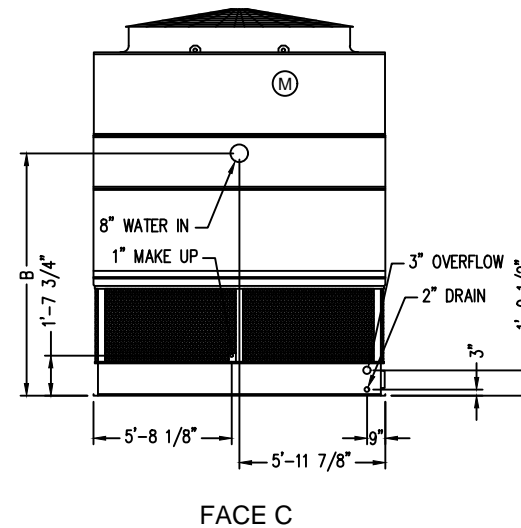


Notes

- 1) Unless otherwise indicated, connections 3" and smaller are NPT. Connections 4" and larger are grooved to suit a mechanical coupling and beveled for welding.
- 2) All dimensions are in feet and inches. Weights are in pounds and include options and accessories.
- 3) For weight loadings and support requirements, refer to the suggested steel support drawing.
- 4) The area above the fan discharge must be unobstructed.
- 5) Piping must not be supported by the tower inlet or outlet connections.
- 6) Unit weights include selected accessories.
- 7) M = Motor location.

Right Hand Unit

Model Number	Shipping Weight	Operating Weight	Heaviest Section	"H"	"B"	"D"	"L"
PT2-1012A-1x1	5650	10240	4360	13'-3 1/4"	7'-5 1/4"	8'-4"	4'-4 3/8"
PT2-1012A-2x1	6050	10640	4740	14'-3 1/4"	8'-5 1/4"	9'-4"	4'-4 3/8"
PT2-1012A-3x1	6620	11210	5280	15'-3 1/4"	9'-5 1/4"	10'-4"	4'-4 3/8"
PT2-1012A-4x1	6860	11940	5280	16'-7 7/8"	10'-9 7/8"	10'-4"	5'-9"
PT2-1012A-5x1	7220	12310	5640	17'-7 7/8"	11'-9 7/8"	11'-4"	5'-9"



ORDER NO:

DATE:



BALTIMORE AIRCOIL COMPANY

**PT2 Single Cell Unit Print
Internal Belt Drive**

DRAWING NUMBER:
GEN-PT2-1012A