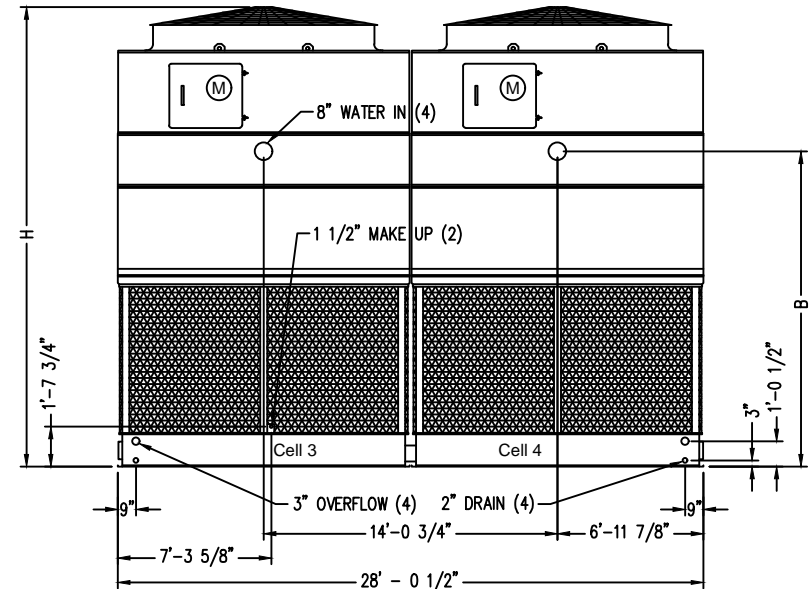


FACE A/B
(CONNECTIONS TYPICAL EACH END)



FACE C
(CONNECTIONS TYPICAL EACH SIDE)

Notes

- 1) Unless otherwise indicated, connections 3" and smaller are NPT. Connections 4" and larger are grooved to suit a mechanical coupling and beveled for welding.
- 2) All dimensions are in feet and inches. Weights are in pounds and include options and accessories.
- 3) For weight loadings and support requirements, refer to the suggested steel support drawing.
- 4) The area above the fan discharge must be unobstructed.
- 5) Piping must not be supported by the tower inlet or outlet connections.
- 6) Unit weights include selected accessories.
- 7) M = Motor location.

Model Number	Shipping Weight	Operating Weight	Heaviest Section	"H"	"B"	"D"	"L"
PT2-1214A-1x4	28900	53750	5080	16'-10 1/2"	10'-11 1/4"	8'-4"	7'-10 3/8"
PT2-1214A-2x4	31500	56350	5730	17'-10 1/2"	11'-11 1/4"	9'-4"	7'-10 3/8"
PT2-1214A-3x4	33470	58320	6220	18'-10 1/2"	12'-11 1/4"	10'-4"	7'-10 3/8"
PT2-1214A-4x4	34430	60440	6220	20'-6 1/2"	14'-7 1/4"	10'-4"	9'-6 3/8"
PT2-1214A-5x4	36390	62400	6710	21'-6 1/2"	15'-7 1/4"	11'-4"	9'-6 3/8"

ORDER NO:

DATE:



**BALTIMORE
AIRCOIL COMPANY**

**PT2 Quad Cell Unit Print
Internal Belt Drive**

DRAWING NUMBER:
GEN-PT2-1214A QUAD-CELL