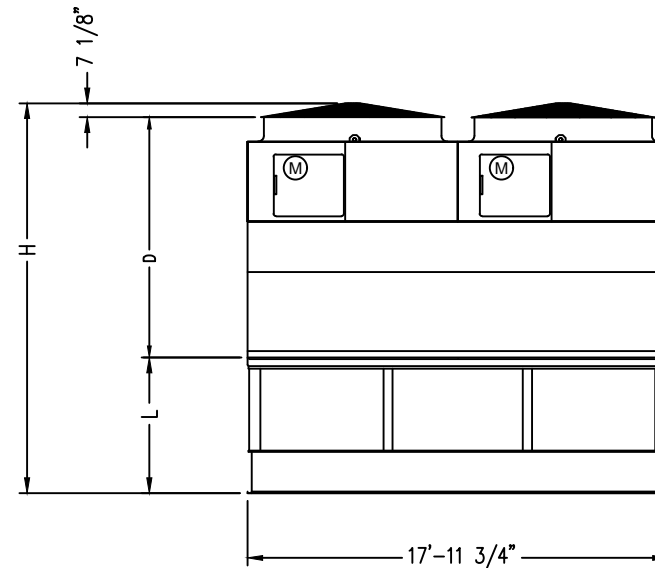
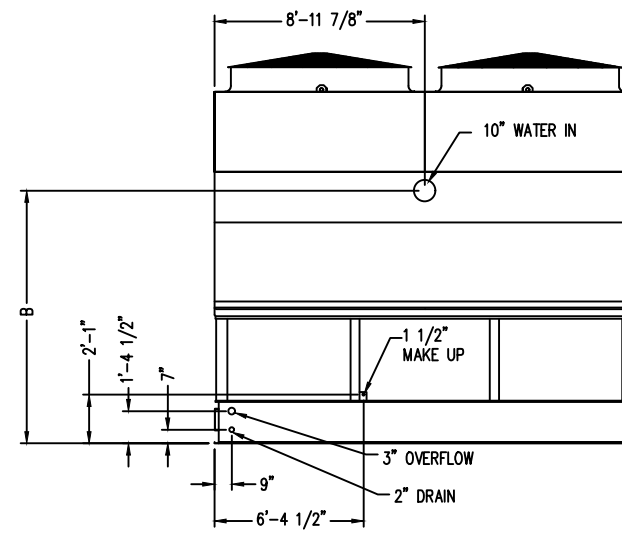


FACE A



FACE D



FACE C

Notes

- 1) Unless otherwise indicated, connections 3" and smaller are NPT. Connections 4" and larger are grooved to suit a mechanical coupling and beveled for welding.
- 2) All dimensions are in feet and inches. Weights are in pounds and include options and accessories.
- 3) For weight loadings and support requirements, refer to the suggested steel support drawing.
- 4) The area above the fan discharge must be unobstructed.
- 5) Piping must not be supported by the tower inlet or outlet connections.
- 6) Unit weights include selected accessories.
- 7) M = Motor location.
- 8) Heaviest section is a cell's mechanical section mounted to fill casing section.

Model Number	Shipping Weight	Operating Weight	Heaviest Section	"H"	"B"	"D"	"L"
PT2-1218A-1x1	10630	20020	6920	14'-8 1/2"	8'-9 5/8"	8'-4"	5'-9 5/8"
PT2-1218A-2x1	11325	20715	7615	15'-8 1/2"	9'-9 5/8"	9'-4"	5'-9 5/8"
PT2-1218A-3x1	11890	21280	8180	16'-8 1/2"	10'-9 5/8"	10'-4"	5'-9 5/8"
PT2-1218A-4x1	12185	21839	8180	17'-7"	11'-8 1/8"	10'-4"	6'-8 1/8"
PT2-1218A-5x1	12846	22500	8841	18'-7"	12'-8 1/8"	11'-4"	6'-8 1/8"

ORDER NO:

DATE:



**BALTIMORE
AIRCOIL COMPANY**

**Unit Print
PT2 12'x18'**

DRAWING NUMBER: