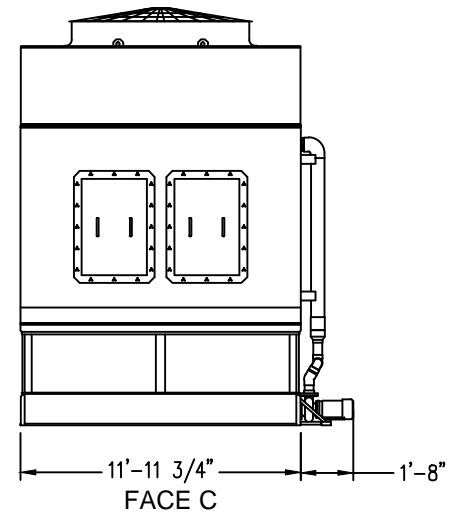


FACE D

Model Number	Approx. Shipping Weight	Approx. Operating Weight	Heaviest Section Weight	F	H
PFI-1012N-2DXDS-X1	10520	16060	8690	4'-0 5/8"	15'-5 5/8"
PFI-1012N-2DXES-X1	11950	17780	10120	4'-8 1/8"	16'-1 1/8"
PFI-1012N-3DXDS-X1	13040	19560	11210	4'-0 5/8"	15'-5 5/8"
PFI-1012N-3DXES-X1	13890	20450	12060	5'-3 5/8"	16'-8 5/8"
PFI-1012N-4DXDS-X1	13160	19670	11330	4'-8 1/8"	16'-1 1/8"
PFI-1012N-4DXES-X1	15780	23070	13950	5'-11 1/8"	17'-4 1/8"
PFI-1012N-5DXDS-X1	15330	22680	13500	5'-3 5/8"	16'-8 5/8"
PFI-1012N-6DXES-X1	16870	24500	15030	7'-1 1/8"	18'-6 1/8"

Notes

- 1) Drawings are not to scale. Refer to submittal drawings for actual dimensions and weights. All dimensions are in feet and inches. Weights are in pounds.
 - 2) Unless otherwise indicated, connections 3" and smaller are MPT. Connections 4" and larger are grooved to suit a mechanical coupling and beveled for welding.
 - 3) Dimensions showing location of coil and basin connections are approximate and should not be used for prefabrication of connecting piping.
 - 4) For weight loadings and support requirements, refer to the suggested steel support drawing.
 - 5) Heaviest section is the combined weight of fan and coil sections, refer to the rigging and assembly manual for suggested lifting method.
 - 6) The area above the discharge must be unobstructed.
 - 7) Do not support piping from unit connections. All necessary piping supports to be supplied by others.
 - 8) M = Motor location.
- Right Hand Unit



FACE C

ORDER NO:

DATE:



BALTIMORE AIRCOIL COMPANY

PFI Closed Circuit Cooling Tower Tabulated Unit Print

DRAWING NUMBER:
UP-PFI-1012