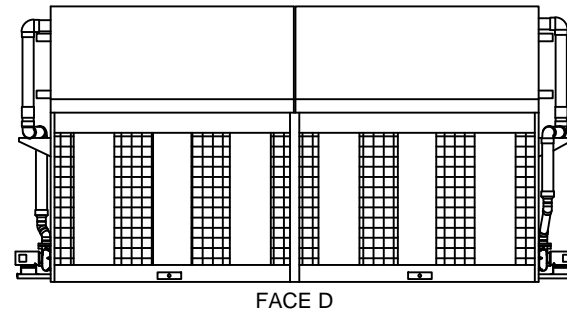
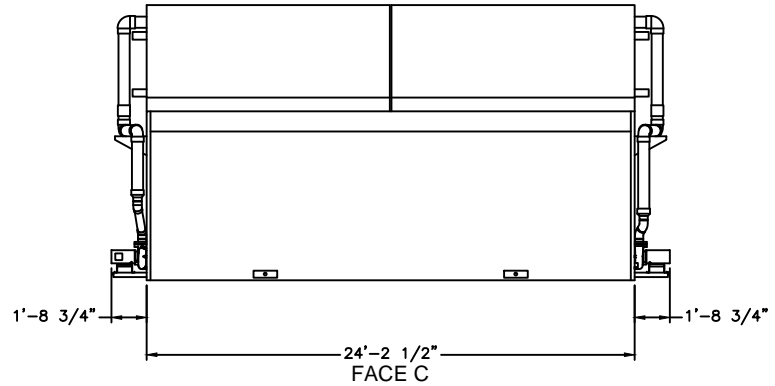
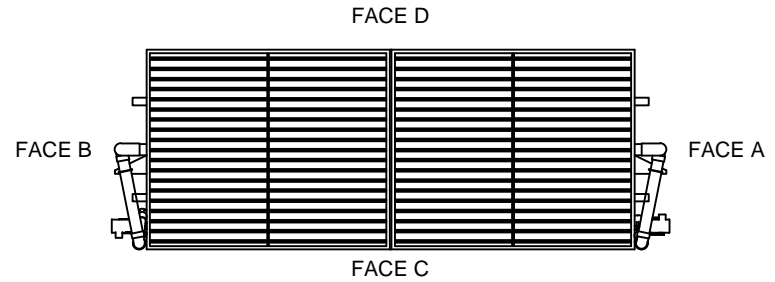
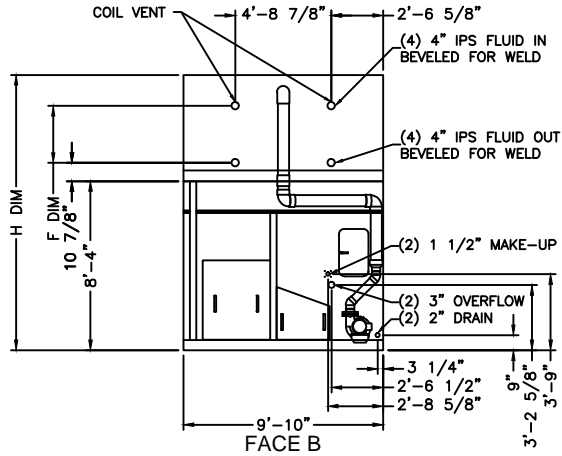


Notes

- 1) All dimensions are in feet and inches. Weights are in pounds.
- 2) Dimensions showing location of coil and spray water connections are approximate and should not be used for prefabrication of connecting piping.
- 3) The area above the discharge of the fan must be unobstructed.
- 4) For weight loading and support requirements refer to the suggested steel support drawing.
- 5) Do not support piping from unit connections. All necessary piping supports to be supplied by others.
- 6) Weights include all the options and accessories.
- 7) All unit piping connections 3" and smaller are MPT unless otherwise noted.
- 8) Coil is provided with a 1/2" threaded vent located on the upper outlet pipe stub.



Model Number	Operating Weight	Shipping Weight	Heaviest Section	H Dim	F Dim
VF1-1024N-4D2AS-Q2	37100	26770	9850	13'-6 1/4"	2'-9 3/4"
VF1-1024N-4D2AS-P2	37420	27090	10170	13'-6 1/4"	2'-9 3/4"
VF1-1024N-4D2AS-Q2	37470	27140	10220	13'-6 1/4"	2'-9 3/4"
VF1-1024N-4D2AS-R2	38280	27950	10630	14'-0 1/4"	2'-9 3/4"
VF1-1024N-5D2AS-O2	40980	30050	10100	14'-3 1/2"	3'-6 1/2"
VF1-1024N-5D2AS-P2	41300	30370	10100	14'-3 1/2"	3'-6 1/2"
VF1-1024N-5D2AS-Q2	41350	30420	10100	14'-3 1/2"	3'-6 1/2"
VF1-1024N-5D2AS-R2	42160	31230	10300	14'-9 1/2"	3'-6 1/2"
VF1-1024N-6D2AS-O2	44380	32850	11500	14'-4"	3'-7 1/8"
VF1-1024N-6D2AS-P2	44700	33170	11500	14'-4"	3'-7 1/8"
VF1-1024N-6D2AS-Q2	44750	33220	11500	14'-4"	3'-7 1/8"
VF1-1024N-6D2AS-R2	45560	34030	11700	14'-10"	3'-7 1/8"
VF1-1024N-6D2AS-S2	45740	34210	11700	14'-10"	3'-7 1/8"
VF1-1024N-7D2AS-O2	48140	36010	13080	14'-11 1/2"	4'-2 5/8"
VF1-1024N-7D2AS-P2	48460	36330	13080	14'-11 1/2"	4'-2 5/8"
VF1-1024N-7D2AS-Q2	48510	36380	13080	14'-11 1/2"	4'-2 5/8"
VF1-1024N-7D2AS-R2	49320	37190	13280	15'-5 1/2"	4'-2 5/8"
VF1-1024N-7D2AS-S2	49500	37370	13280	15'-5 1/2"	4'-2 5/8"
VF1-1024N-8D2AS-O2	51880	39150	14650	15'-7"	4'-9 1/8"
VF1-1024N-8D2AS-P2	52200	39470	14650	15'-7"	4'-9 1/8"
VF1-1024N-8D2AS-Q2	52250	39520	14650	15'-7"	4'-9 1/8"
VF1-1024N-8D2AS-R2	53060	40330	14850	16'-1"	4'-9 1/8"
VF1-1024N-8D2AS-S2	53240	40510	14850	16'-1"	4'-9 1/8"

ORDER NO:

DATE: 11/11/2016



BALTIMORE
AIRCOIL COMPANY

VF1 Two Cell Unit Print

DRAWING NUMBER:
10x24 Non-Circuited