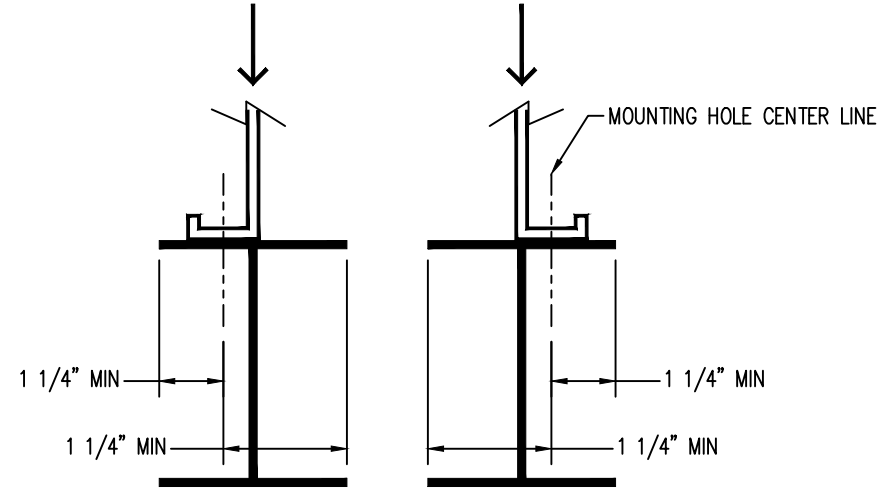


FACE C
PLAN VIEW

FACE A
ELEVATION VIEW

MODEL NO.	APPROX. SHIPPING WEIGHT	APPROX. OPERATING WEIGHT
VRC-0470B-1024N-JA	25680	34360
VRC-0484B-1024N-HA	27220	36070
VRC-0533B-1024N-JA	27470	36320
VRC-0571B-1024N-KA	27570	36410
VRC-0609B-1024N-KA	31340	40360
VRC-0672B-1024N-LA	31990	41010
VRC-0615B-1024N-JA	32810	41980
VRC-0659B-1024N-KA	32900	42070
VRC-0727B-1024N-LA	33550	42720

- Notes
- 1) Drawings are not to scale.
 - 2) All dimensions are in feet and inches. Weights are in pounds and include options and accessories.
 - 3) Operating weight and weight loading are for units with water level in cold water basin at overflow.
 - 4) Unit support beams and anchor bolts to be designed and furnished by others. Minimum dimensions shown in Section A-A are provided only to ensure proper support of unit.
 - 5) Support beams must be flush and level at top.
 - 6) Support beams are not limited to an I-beam shape.
 - 7) Each beam should be designed, as a minimum, for 65% of the total unit operating weight applied as a uniformly distributed load.
 - 8) If vibration isolators are used, they should be installed under the support beams and should never have direct contact with the unit.



SECTION A-A

ORDER NO:

DATE:



Vertex™ Evaporative Condenser
10x24 Two Cell Unit Support

DRAWING NUMBER: