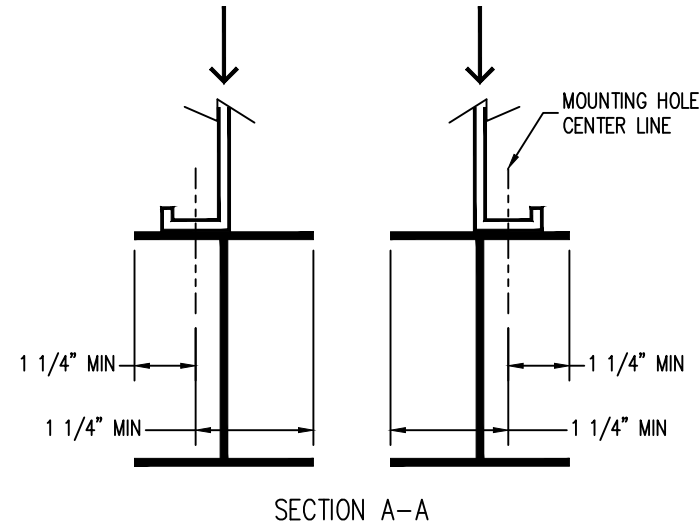


MODEL NO.	APPROX. SHIPPING WEIGHT	APPROX. OPERATING WEIGHT
VRC-0429B-1224N-GA	28590	38130
VRC-0486B-1224N-HA	28590	38120
VRC-0535B-1224N-JA	28840	38370
VRC-0574B-1224N-KA	28940	38470
VRC-0541B-1224N-HA	30830	40570
VRC-0597B-1224N-JA	31080	40820
VRC-0641B-1224N-KA	31170	40920
VRC-0697B-1224N-KA	35790	45770
VRC-0768B-1224N-LA	36440	46410
VRC-0824B-1224N-MA	36690	46660
VRC-0763B-1224N-KA	37760	47910
VRC-0831B-1224N-LA	38410	48560
VRC-0889B-1224N-MA	38660	48810
VRC-0939B-1224N-NA	38810	48970

Notes

- 1) Drawings are not to scale.
- 2) All dimensions are in feet and inches. Weights are in pounds and include options and accessories.
- 3) Operating weight and weight loading are for units with water level in cold water basin at overflow.
- 4) Unit support beams and anchor bolts to be designed and furnished by others. Minimum dimensions shown in Section A-A are provided only to ensure proper support of unit.
- 5) Support beams must be flush and level at top.
- 6) Support beams are not limited to an I-beam shape.
- 7) Each beam should be designed, as a minimum, for 65% of the total unit operating weight applied as a uniformly distributed load.
- 8) If vibration isolators are used, they should be installed under the support beams and should never have direct contact with the unit.



ORDER NO:

DATE:



BALTIMORE AIRCOIL COMPANY

**Vertex™ Evaporative Condenser
12x24 Two Cell Unit Support**

DRAWING NUMBER: