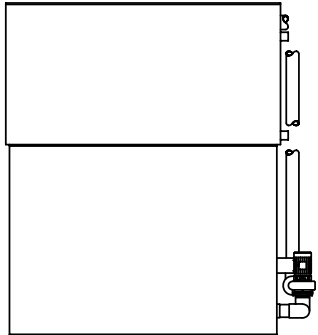
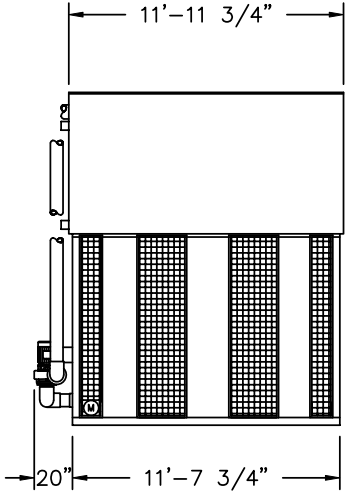
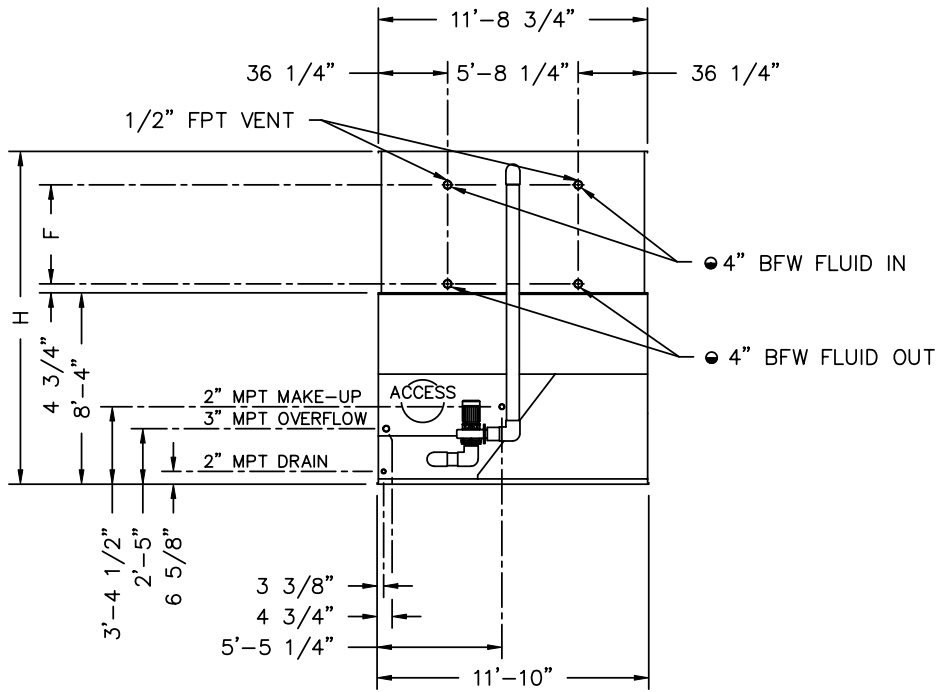


2000© Baltimore Aircoil Company. All Rights Reserved.



- BFW BEVELED FOR WELDING.
- Ⓜ FAN MOTOR LOCATION.

| MODEL NO. | APPROX. SHIPPING WEIGHT | APPROX. OPERATING WEIGHT | HEAVIEST SECTION (COIL) | F | H |
|------------|-------------------------|--------------------------|-------------------------|---------|-------------|
| VF1-144-21 | 16530 | 27090 | 10300 | 33 1/4" | 12'-11 1/2" |
| VF1-144-31 | 18610 | 29980 | 12370 | 42 1/2" | 13'-8 3/4" |
| VF1-144-41 | 20640 | 32840 | 14440 | 51 3/4" | 14'-6" |

- NOTES:
1. ALL DIMENSIONS ARE IN FEET AND INCHES. WEIGHTS ARE IN POUNDS.
 2. UNLESS OTHERWISE INDICATED, ALL CONNECTIONS 6 INCHES AND SMALLER ARE MPT AND CONNECTIONS 8 INCHES AND LARGER ARE BEVELED FOR WELDING.
 3. DIMENSIONS SHOWING LOCATION OF COIL CONNECTIONS ARE APPROXIMATE AND SHOULD NOT BE USED FOR PREFABRICATION OF CONNECTING PIPING.
 4. FOR SUPPORT REQUIREMENTS, REFER TO THE SUGGESTED STEEL SUPPORT DRAWING.

B.A.C.
ORDER NO:
DATE:



RIGHT HAND UNIT
END OUTLET WITH PUMP
DRAWING NUMBER:
BAC-11553A