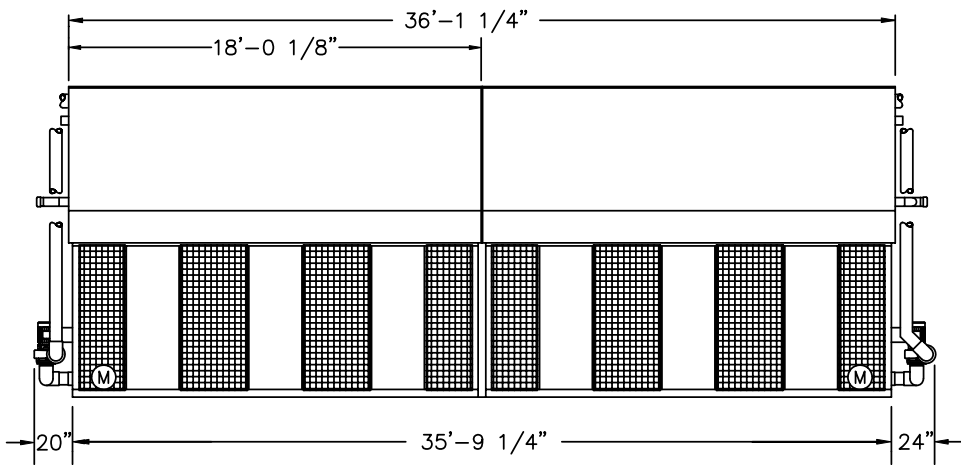
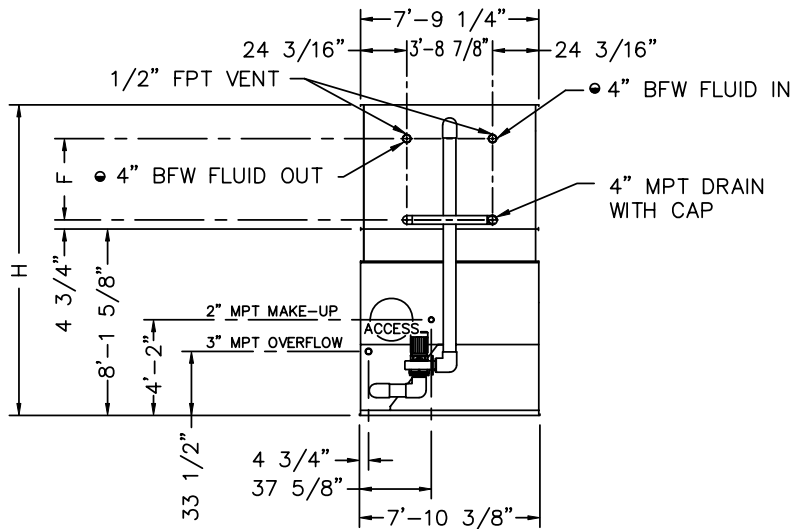


2000© Baltimore Aircoil Company. All Rights Reserved.

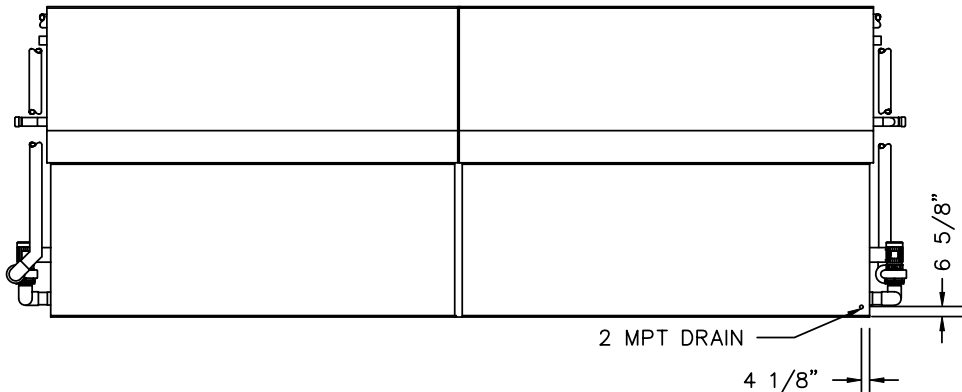


- BFW BEVELED FOR WELDING.
- Ⓜ FAN MOTOR LOCATION.
- † PAN IS HEAVIEST SECTION.

MODEL NO.	APPROX. SHIPPING WEIGHT	APPROX. OPERATING WEIGHT	HEAVIEST SECTION (COIL)	F	H
VF1-288N-22	32750	51260	† 11970	33 1/4"	12'-9 1/8"
VF1-288N-32	36950	57080	12570	42 1/2"	13'-6 3/8"

NOTES:

1. ALL DIMENSIONS ARE IN FEET AND INCHES. WEIGHTS ARE IN POUNDS.
2. UNLESS OTHERWISE INDICATED, ALL CONNECTIONS 6 INCHES AND SMALLER ARE MPT AND CONNECTIONS 8 INCHES AND LARGER ARE BEVELED FOR WELDING.
3. DIMENSIONS SHOWING LOCATION OF COIL CONNECTIONS ARE APPROXIMATE AND SHOULD NOT BE USED FOR PREFABRICATION OF CONNECTING PIPING.
4. SPRAY WATER, OVERFLOW AND COIL CONNECTIONS ARE PROVIDED ON BOTH ENDS OF THE UNIT. ONLY ONE MAKE-UP CONNECTION IS FURNISHED, ON THE END INDICATED.
5. FOR SUPPORT REQUIREMENTS, REFER TO THE SUGGESTED STEEL SUPPORT DRAWING.



B.A.C.  
ORDER NO:  
  
DATE:



RIGHT HAND UNIT  
END OUTLET WITH PUMP  
DRAWING NUMBER:  
BAC-11737A