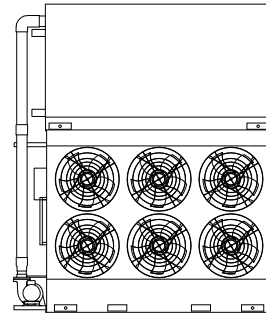
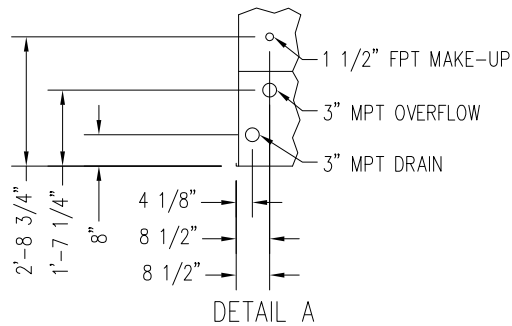
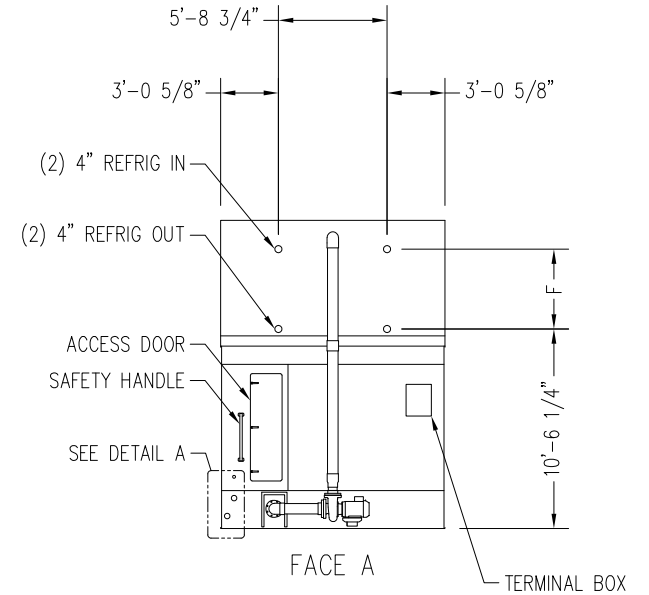
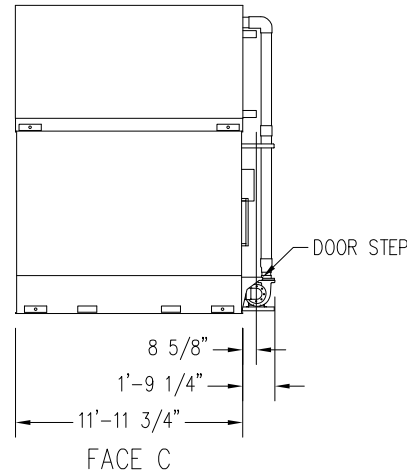
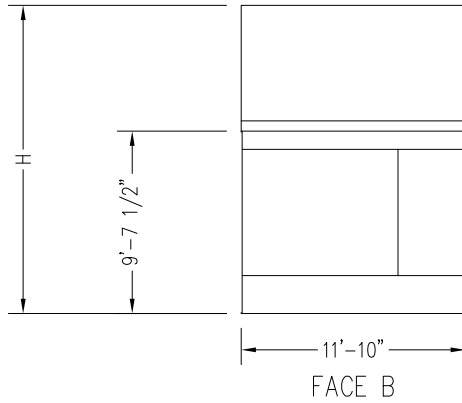
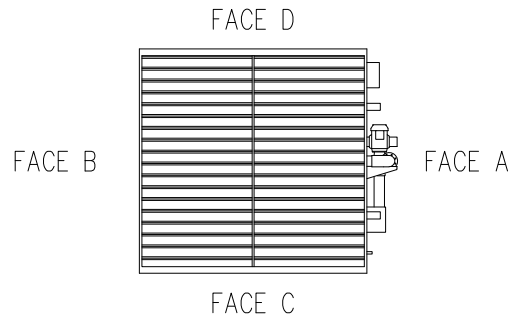


- Notes
- 1) Drawings are not to scale.
  - 2) Dimensions are in feet and inches. Weights are in pounds and include options and accessories.
  - 3) Unless otherwise indicated, connections 3" and smaller are MPT.
  - 4) Dimensions showing location of coil & basin connections are approximate and should not be used for prefabrication of connecting piping.
  - 5) For weight loadings and support requirements, refer to suggested steel support drawing.
  - 6) Area above the air discharge must be unobstructed.
  - 7) Field piping must not be supported by the unit inlet or outlet connections.



FACE D

MODEL NUMBER	APPROX. SHIPPING WEIGHT	APPROX. OPERATING WEIGHT	HEAVIEST SECTION (COIL)	F	H
VRC-0314B-1212N-HB	14,000	18,780	7,890	3'-7"	15'-8"
VRC-0348B-1212N-JB	14,000	18,780	7,890	3'-7"	15'-8"
VRC-0347B-1212N-HB	15,120	20,010	9,010	3'-7"	15'-8"
VRC-0383B-1212N-JB	15,120	20,010	9,010	3'-7"	15'-8"
VRC-0378B-1212N-HB	17,430	22,430	11,320	4'-10"	16'-11"
VRC-0418B-1212N-JB	17,430	22,430	11,320	4'-10"	16'-11"
VRC-0405B-1212N-HB	18,410	23,510	12,300	4'-10"	16'-11"
VRC-0448B-1212N-JB	18,410	23,510	12,300	4'-10"	16'-11"

Right Hand Unit

ORDER NO:

DATE:



**BALTIMORE AIRCOIL COMPANY**

**Vertex™ Evaporative Condenser  
Single Cell Unit Print**

DRAWING NUMBER: