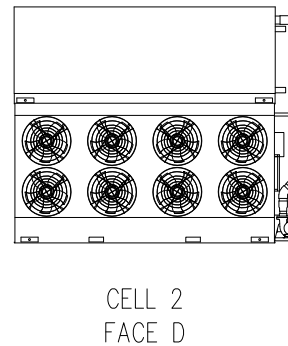
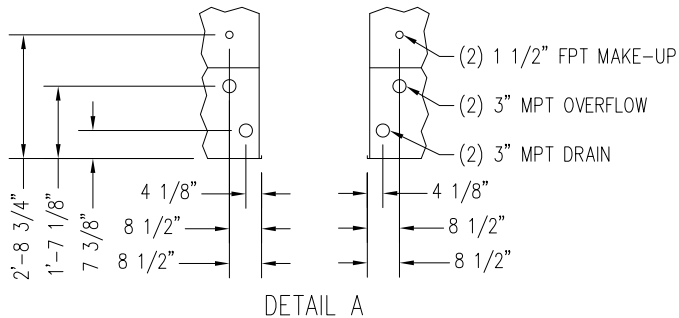
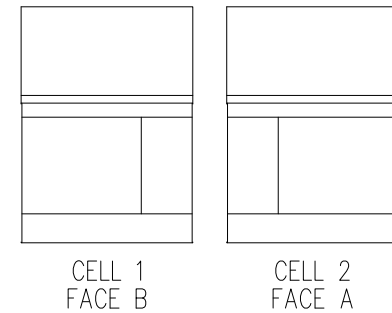
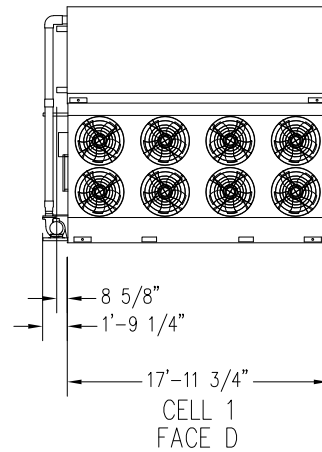
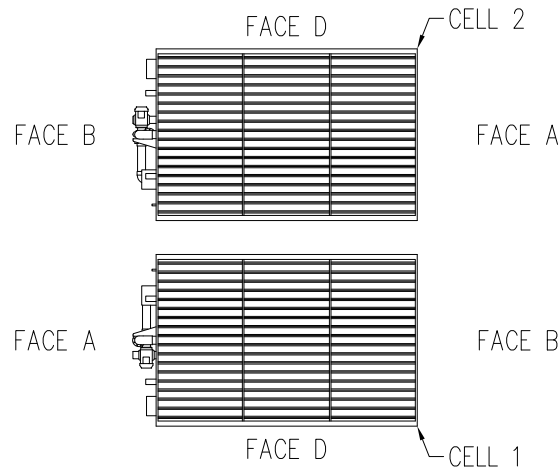
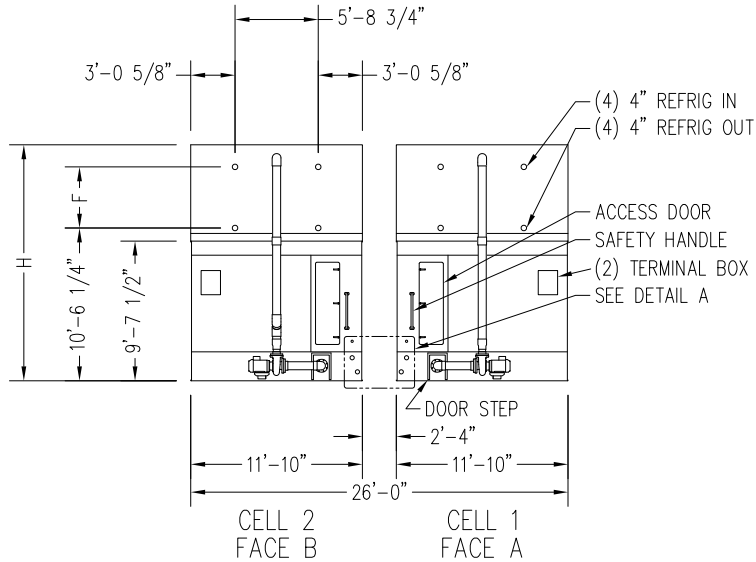


Notes

- 1) Drawings are not to scale.
- 2) Dimensions are in feet and inches. Weights are in pounds and include options and accessories.
- 3) Unless otherwise indicated, connections 3" and smaller are MPT.
- 4) Dimensions showing location of coil & basin connections are approximate and should not be used for prefabrication of connecting piping.
- 5) For weight loadings and support requirements, refer to suggested steel support drawing.
- 6) Area above the air discharge must be unobstructed.
- 7) Field piping must not be supported by the unit inlet or outlet connections.



MODEL NUMBER	APPROX. SHIPPING WEIGHT	APPROX. OPERATING WEIGHT	HEAVIEST SECTION (COIL)	F	H
VRC-0934B-2418N-HB	37,550	51,790	11,120	3'-7"	15'-8"
VRC-1020B-2418N-HB	40,860	55,420	12,780	3'-7"	15'-8"
VRC-1032B-2418N-JB	37,550	51,790	11,120	3'-7"	15'-8"
VRC-1111B-2418N-HB	46,290	61,190	15,500	4'-10"	16'-11"
VRC-1127B-2418N-JB	40,860	55,420	12,780	3'-7"	15'-8"
VRC-1198B-2418N-HB	49,200	64,380	16,950	4'-10"	16'-11"
VRC-1227B-2418N-JB	46,290	61,190	15,500	4'-10"	16'-11"
VRC-1324B-2418N-JB	49,200	64,380	16,950	4'-10"	16'-11"

Right & Left Hand Unit

ORDER NO:

DATE:



BALTIMORE AIRCOIL COMPANY

**Vertex™ Evaporative Condenser
24x18 Two Cell Unit Print**

DRAWING NUMBER: