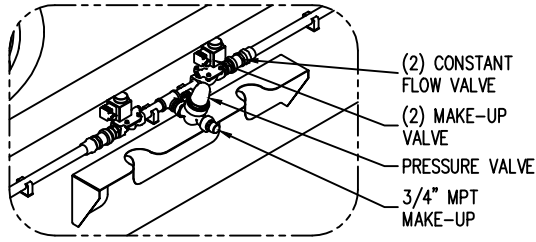
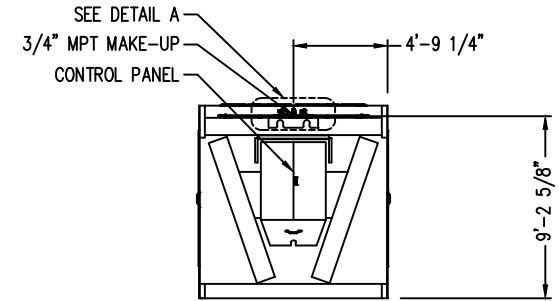
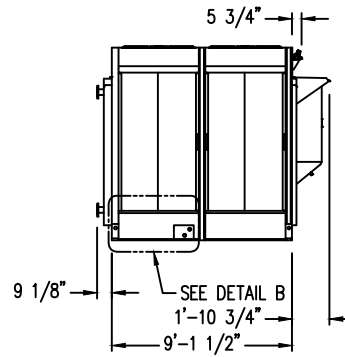
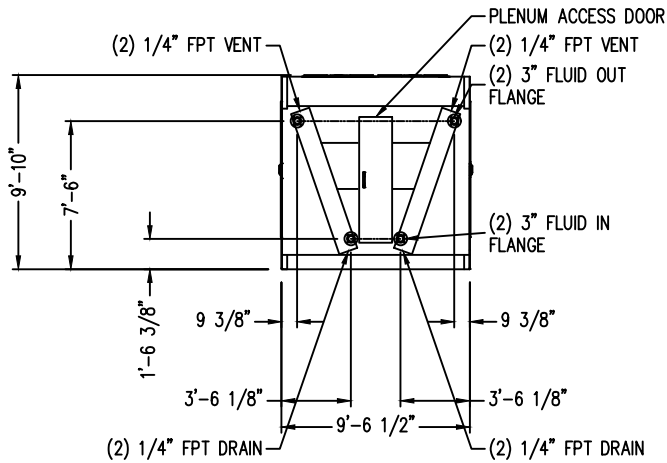
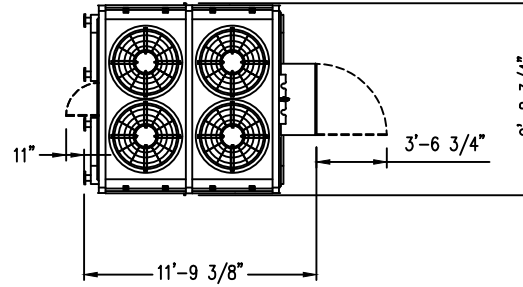


**DETAIL A**  
(ISOMETRIC)



- (2) CONSTANT FLOW VALVE
- (2) MAKE-UP VALVE
- PRESSURE VALVE
- 3/4" MPT MAKE-UP

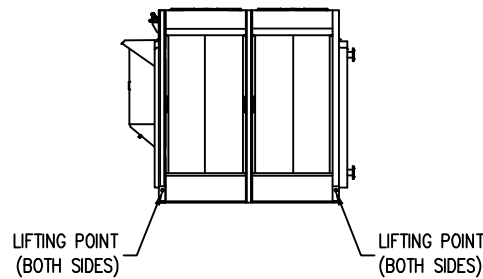
**PLAN VIEW**



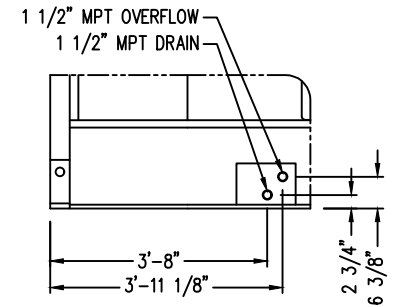
**Notes**

- 1) All dimensions are in feet and inches. Weights are in pounds and include options and accessories.
- 2) Dimensions showing locations of coil & basin connections are approximate and should not be used for prefabrication of connecting piping.
- 3) For weight loadings and support requirements, refer to the suggested steel support drawing.
- 4) The area above the fan discharge must not be obstructed.
- 5) Field piping must not be supported by the unit inlet or outlet connections.

Model Number	Shipping Weight	Operating Weight	Heaviest Section
TRF-1010N-C60F*17E	6724	7815	6724
TRF-1010N-C80F*17E	7143	8433	7143



**DETAIL B**



QUOTE NO:

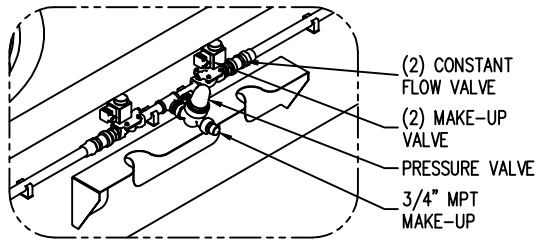
DATE: **7/9/2024 10:03:55 AM Revision=0**



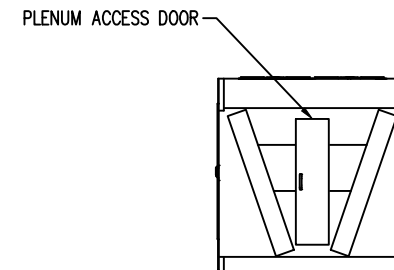
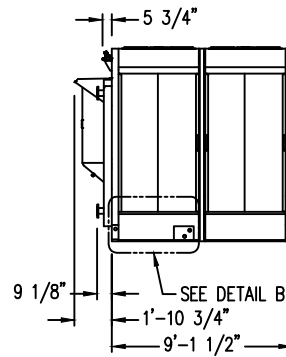
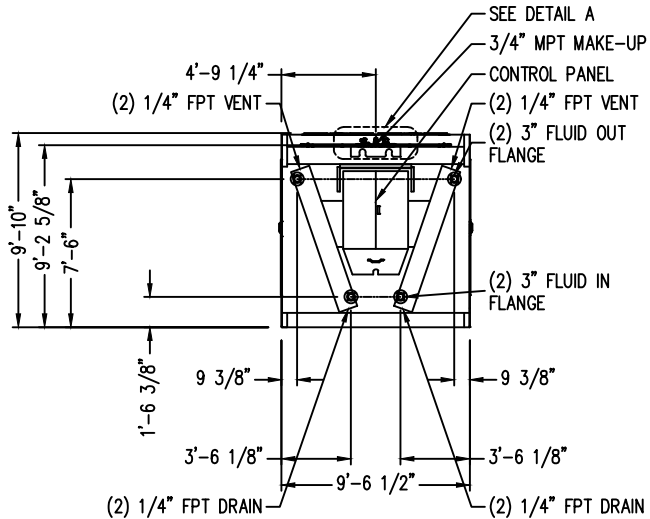
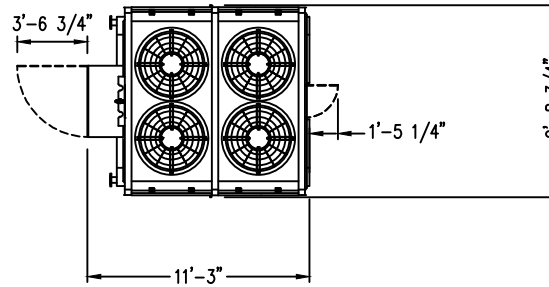
**TrilliumSeries™ Adiabatic Cooler**  
**Four Fan Unit Print**

DRAWING NUMBER:

**DETAIL A**  
(ISOMETRIC)

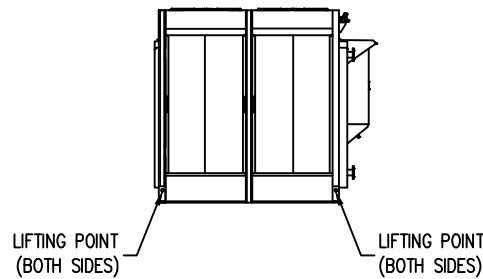


**PLAN VIEW**

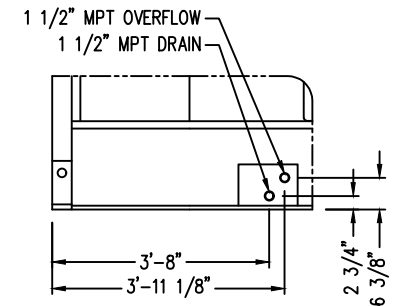


**Notes**

- 1) All dimensions are in feet and inches. Weights are in pounds and include options and accessories.
- 2) Dimensions showing locations of coil & basin connections are approximate and should not be used for prefabrication of connecting piping.
- 3) For weight loadings and support requirements, refer to the suggested steel support drawing.
- 4) The area above the fan discharge must not be obstructed.
- 5) Field piping must not be supported by the unit inlet or outlet connections.



**DETAIL B**



Model Number	Shipping Weight	Operating Weight	Heaviest Section
TRF-1010N-C60F*17E	6724	7815	6724
TRF-1010N-C80F*17E	7143	8433	7143

QUOTE NO:

DATE: **7/10/2024 11:40:56 AM Revision=0**



**TrilliumSeries™ Adiabatic Cooler**  
**Four Fan Unit Print**

DRAWING NUMBER: