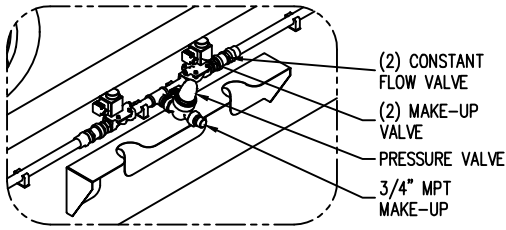
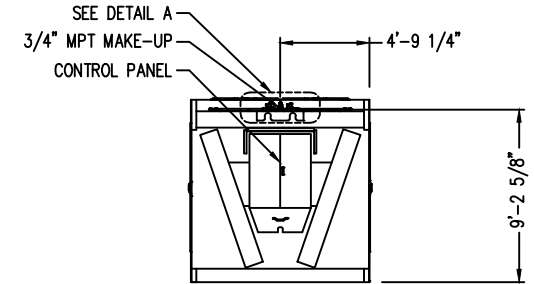
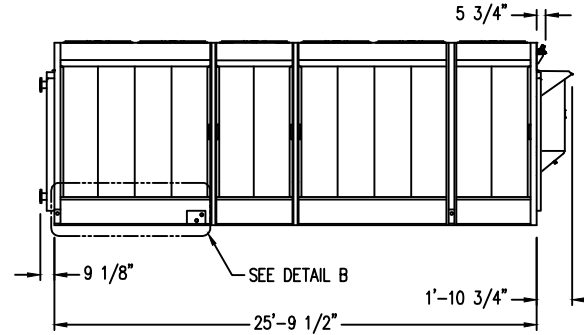
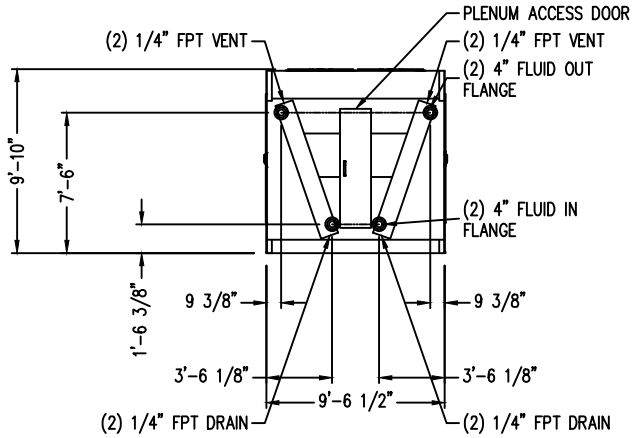
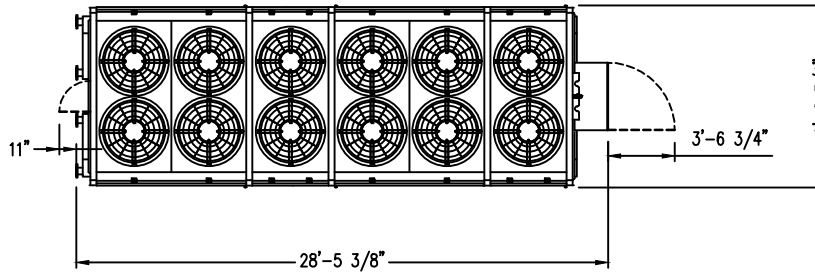


DETAIL A
(ISOMETRIC)

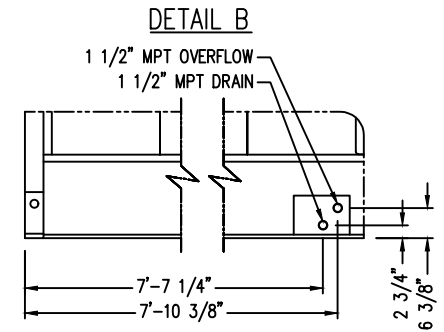
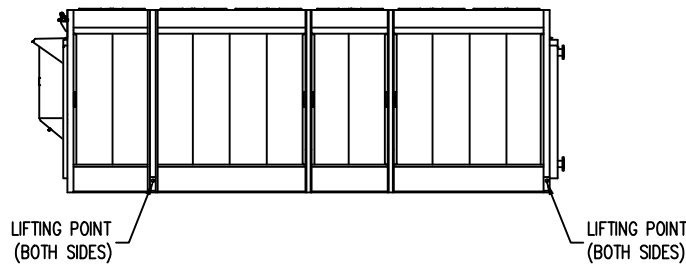


PLAN VIEW



Notes

- 1) All dimensions are in feet and inches. Weights are in pounds and include options and accessories.
- 2) Dimensions showing locations of coil & basin connections are approximate and should not be used for prefabrication of connecting piping.
- 3) For weight loadings and support requirements, refer to the suggested steel support drawing.
- 4) The area above the fan discharge must not be obstructed.
- 5) Field piping must not be supported by the unit inlet or outlet connections.



Model Number	Shipping Weight	Operating Weight	Heaviest Section
TRF-1026N-C60F*51E	15013	18034	15013
TRF-1026N-C80F*51E	16424	20007	16424

QUOTE NO:

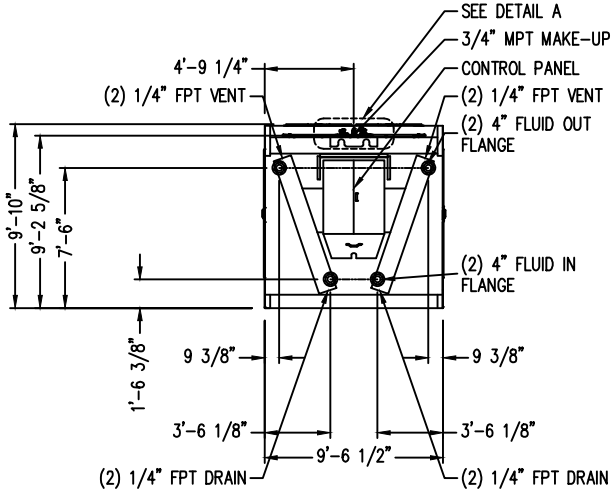
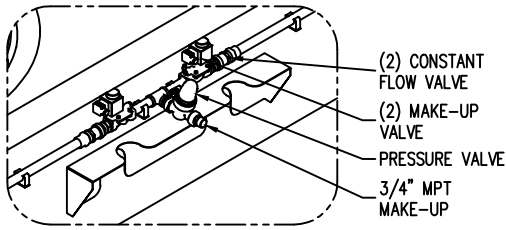
DATE: **7/9/2024 10:48:38 AM Revision=0**



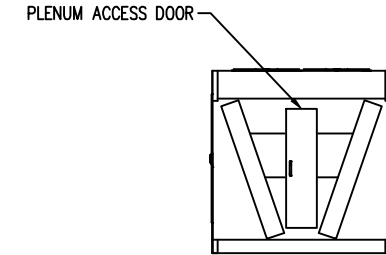
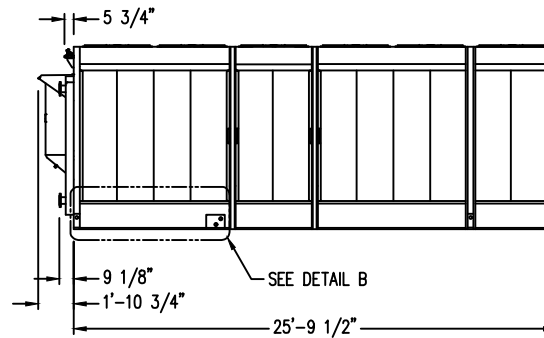
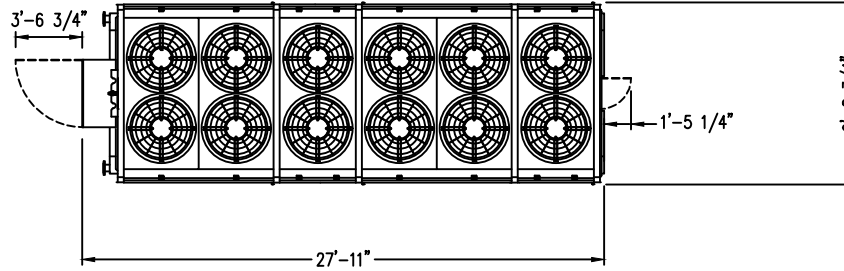
TrilliumSeries™ Adiabatic Cooler
Twelve Fan Unit Print

DRAWING NUMBER:

DETAIL A
(ISOMETRIC)

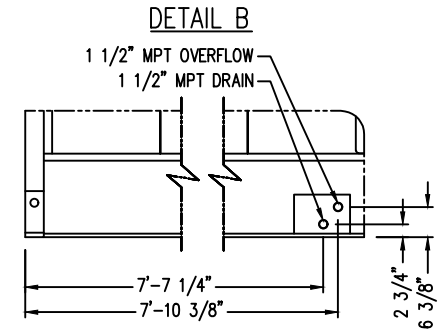
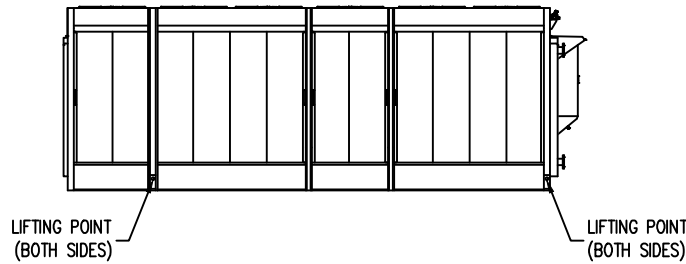


PLAN VIEW



Notes

- 1) All dimensions are in feet and inches. Weights are in pounds and include options and accessories.
- 2) Dimensions showing locations of coil & basin connections are approximate and should not be used for prefabrication of connecting piping.
- 3) For weight loadings and support requirements, refer to the suggested steel support drawing.
- 4) The area above the fan discharge must not be obstructed.
- 5) Field piping must not be supported by the unit inlet or outlet connections.



Model Number	Shipping Weight	Operating Weight	Heaviest Section
TRF-1026N-C60F*51E	15013	18034	15013
TRF-1026N-C80F*51E	16424	20007	16424

QUOTE NO:

DATE: **7/9/2024 11:27:07 AM Revision=0**



TrilliumSeries™ Adiabatic Cooler
Twelve Fan Unit Print

DRAWING NUMBER: