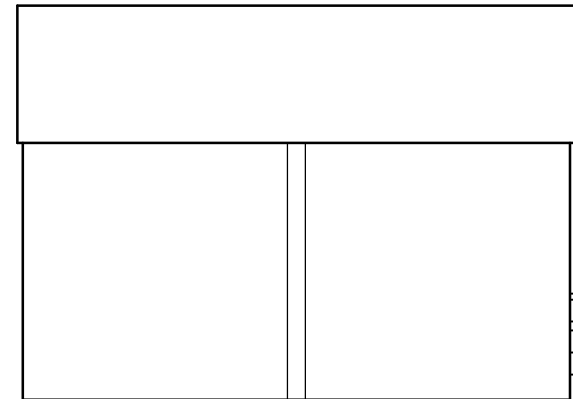
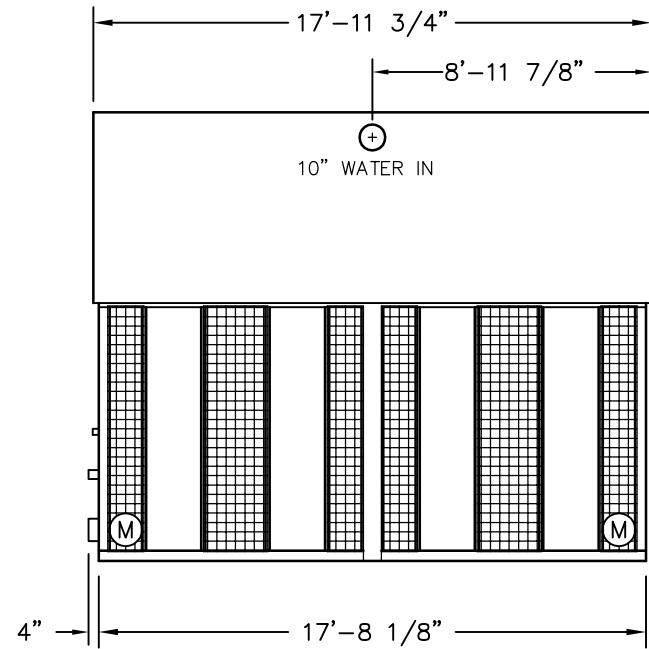


(M) FAN MOTOR LOCATION.

MODEL NO.	APPROX. SHIPPING WEIGHT	APPROX. OPERATING WEIGHT	HEAVIEST SECTION (PAN)	A	H
VT1-M431-N	8935	16469	4412	12'-8 1/4"	13'-6"
VT1-M484-N	9544	17079	4717	13'-8 1/4"	14'-6"
VT1-M515-N	10154	17688	5300	14'-8 1/4"	15'-6"
VT1-M533-N	10763	18297	5883	15'-8 1/4"	16'-6"
VT1-M455-O	8997	16531	4471	12'-8 1/4"	13'-6"
VT1-M514-O	9606	17141	4717	13'-8 1/4"	14'-6"
VT1-M544-O	10215	17750	5300	14'-8 1/4"	15'-6"
VT1-M557-O	10825	18359	5883	15'-8 1/4"	16'-6"
VT1-M560-P	9804	17338	4717	13'-8 1/4"	14'-6"
VT1-M595-P	10413	17948	5300	14'-8 1/4"	15'-6"
VT1-M610-P	11023	18557	5883	15'-8 1/4"	16'-6"

NOTES:

1. ALL DIMENSIONS ARE IN FEET AND INCHES. WEIGHTS ARE IN POUNDS.
2. UNLESS OTHERWISE INDICATED, ALL CONNECTIONS 6 INCHES AND SMALLER ARE MPT AND CONNECTIONS 8 INCHES AND LARGER ARE BEVELED FOR WELDING AND GROOVED FOR VICTAULIC CONNECTION.
3. FOR SUPPORT REQUIREMENTS, REFER TO THE SUGGESTED STEEL SUPPORT DRAWING.



ORDER NO:

DATE:



BALTIMORE AIRCOIL COMPANY

**10' x 18' COOLING TOWER
RH UNIT**

DRAWING NUMBER:

BAC19308