

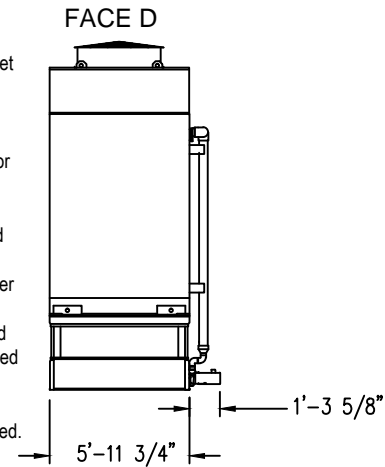
FACE A

FACE D

Model Number	Approx. Shipping Weight	Approx. Operating Weight	Heaviest Section Weight	F	H
PCC-0048-0406N005	3270	4440	2580	4'-0 5/8"	12'-5 1/2"
PCC-0046-0406N003	3430	4610	2740	4'-0 5/8"	12'-5 1/2"
PCC-0057-0406N005	3870	5070	3180	4'-8 1/8"	13'-1"
PCC-0067-0406N7.5	4610	5830	3910	6'-5 5/8"	14'-10 1/2"

Notes

- 1) Drawings are not to scale. All dimensions are in feet and inches.
- 2) Unless otherwise indicated, connections 3" and smaller are MPT. Connections 4" and larger are grooved to suit a mechanical coupling and beveled for welding.
- 3) Dimensions showing location of coil and basin connections are approximate and should not be used for prefabrication of connecting piping.
- 4) For weight loadings and support requirements, refer to the suggested steel support drawing.
- 5) Heaviest section is the combined weight of fan and coil sections, refer to the P-Series Counterflow Induced Draft Coil Products rigging and assembly manual for suggested lifting method.
- 6) The area above the discharge must be unobstructed.
- 7) Do not support piping from unit connections. All necessary piping supports to be supplied by others.
- 8) M = Motor location



FACE C

Right Hand Unit

ORDER NO:

DATE:



BALTIMORE AIRCOIL COMPANY

PCC Evaporative Condenser Tabulated Unit Print

DRAWING NUMBER:
UP-PCC-0406